



power contactor, AC-3e/AC-3 300 A, 160 kW / 400 V, AC (50-60 Hz) / DC U_c: 21-27, 3 V PLC input 24 V DC 3-pole, auxiliary contacts 2 NO + 2 NC drive: electronic main circuit: busbar control and auxiliary circuit: spring-loaded terminal

product brand name	SIRIUS
product designation	Power contactor
product type designation	3RT1
General technical data	
size of contactor	S10
product extension	
• function module for communication	No
• auxiliary switch	Yes
power loss [W] for rated value of the current	
• at AC in hot operating state	66 W
• at AC in hot operating state per pole	22 W
• without load current share typical	3.4 W
type of calculation of power loss depending on pole	quadratic
insulation voltage	
• of main circuit with degree of pollution 3 rated value	1 000 V
• of auxiliary circuit with degree of pollution 3 rated value	500 V
surge voltage resistance	
• of main circuit rated value	8 kV
• of auxiliary circuit rated value	6 kV
maximum permissible voltage for protective separation between coil and main contacts according to EN 60947-1	690 V
shock resistance at rectangular impulse	
• at AC	8,5g / 5 ms, 4,2g / 10 ms
• at DC	8,5g / 5 ms, 4,2g / 10 ms
shock resistance with sine pulse	
• at AC	13,4g / 5 ms, 6,5g / 10 ms
• at DC	13,4g / 5 ms, 6,5g / 10 ms
mechanical service life (operating cycles)	
• of contactor typical	10 000 000
• of the contactor with added electronically optimized auxiliary switch block typical	5 000 000
• of the contactor with added auxiliary switch block typical	10 000 000
reference code according to IEC 81346-2	Q
Substance Prohibitance (Date)	
SVHC substance name	Lead - 7439-92-1
Weight	6.607 kg
Ambient conditions	
installation altitude at height above sea level maximum	2 000 m
ambient temperature	
• during operation	-25 ... +60 °C
• during storage	-55 ... +80 °C

relative humidity minimum	10 %
relative humidity at 55 °C according to IEC 60068-2-30 maximum	95 %
Main circuit	
number of poles for main current circuit	3
number of NO contacts for main contacts	3
operating voltage	
• at AC-3 rated value maximum	1 000 V
• at AC-3e rated value maximum	1 000 V
operational current	
• at AC-1 at 400 V at ambient temperature 40 °C rated value	330 A
• at AC-1	
— up to 690 V at ambient temperature 40 °C rated value	330 A
— up to 690 V at ambient temperature 60 °C rated value	300 A
— up to 1000 V at ambient temperature 40 °C rated value	150 A
— up to 1000 V at ambient temperature 60 °C rated value	150 A
• at AC-3	
— at 400 V rated value	300 A
— at 500 V rated value	300 A
— at 690 V rated value	280 A
— at 1000 V rated value	95 A
• at AC-3e	
— at 400 V rated value	300 A
— at 500 V rated value	300 A
— at 690 V rated value	280 A
— at 1000 V rated value	95 A
• at AC-4 at 400 V rated value	280 A
• at AC-5a up to 690 V rated value	290 A
• at AC-5b up to 400 V rated value	249 A
• at AC-6a	
— up to 230 V for current peak value n=20 rated value	292 A
— up to 400 V for current peak value n=20 rated value	292 A
— up to 500 V for current peak value n=20 rated value	292 A
— up to 690 V for current peak value n=20 rated value	280 A
— up to 1000 V for current peak value n=20 rated value	95 A
• at AC-6a	
— up to 230 V for current peak value n=30 rated value	195 A
— up to 400 V for current peak value n=30 rated value	195 A
— up to 500 V for current peak value n=30 rated value	195 A
— up to 690 V for current peak value n=30 rated value	195 A
— up to 1000 V for current peak value n=30 rated value	95 A
minimum cross-section in main circuit at maximum AC-1 rated value	185 mm ²
operational current for approx. 200000 operating cycles at AC-4	
• at 400 V rated value	125 A
• at 690 V rated value	115 A
operational current	
• at 1 current path at DC-1	
— at 24 V rated value	300 A
— at 60 V rated value	300 A
— at 110 V rated value	33 A
— at 220 V rated value	3.8 A
— at 440 V rated value	0.9 A
— at 600 V rated value	0.6 A
• with 2 current paths in series at DC-1	
— at 24 V rated value	300 A

— at 60 V rated value	300 A
— at 110 V rated value	300 A
— at 220 V rated value	300 A
— at 440 V rated value	4 A
— at 600 V rated value	2 A
● with 3 current paths in series at DC-1	
— at 24 V rated value	300 A
— at 60 V rated value	300 A
— at 110 V rated value	300 A
— at 220 V rated value	300 A
— at 440 V rated value	11 A
— at 600 V rated value	5.2 A
● at 1 current path at DC-3 at DC-5	
— at 24 V rated value	300 A
— at 60 V rated value	11 A
— at 220 V rated value	0.6 A
— at 440 V rated value	0.18 A
— at 600 V rated value	0.125 A
● with 2 current paths in series at DC-3 at DC-5	
— at 24 V rated value	300 A
— at 60 V rated value	300 A
— at 110 V rated value	300 A
— at 220 V rated value	2.5 A
— at 440 V rated value	0.65 A
— at 600 V rated value	0.37 A
● with 3 current paths in series at DC-3 at DC-5	
— at 24 V rated value	300 A
— at 60 V rated value	300 A
— at 110 V rated value	300 A
— at 220 V rated value	300 A
— at 440 V rated value	1.4 A
— at 600 V rated value	0.75 A
operating power	
● at AC-3	
— at 230 V rated value	90 kW
— at 400 V rated value	160 kW
— at 500 V rated value	200 kW
— at 690 V rated value	250 kW
— at 1000 V rated value	132 kW
● at AC-3e	
— at 230 V rated value	90 kW
— at 400 V rated value	160 kW
— at 500 V rated value	200 kW
— at 690 V rated value	250 kW
— at 1000 V rated value	132 kW
operating power for approx. 200000 operating cycles at AC-4	
● at 400 V rated value	71 kW
● at 690 V rated value	112 kW
operating apparent power at AC-6a	
● up to 230 V for current peak value n=20 rated value	110 000 kVA
● up to 400 V for current peak value n=20 rated value	200 000 VA
● up to 500 V for current peak value n=20 rated value	250 000 VA
● up to 690 V for current peak value n=20 rated value	330 000 VA
● up to 1000 V for current peak value n=20 rated value	160 000 VA
operating apparent power at AC-6a	
● up to 230 V for current peak value n=30 rated value	70 000 VA
● up to 400 V for current peak value n=30 rated value	130 000 VA
● up to 500 V for current peak value n=30 rated value	160 000 VA
● up to 690 V for current peak value n=30 rated value	230 000 VA
● up to 1000 V for current peak value n=30 rated value	160 000 VA

short-time withstand current in cold operating state up to 40 °C	
<ul style="list-style-type: none"> • limited to 1 s switching at zero current maximum • limited to 5 s switching at zero current maximum • limited to 10 s switching at zero current maximum • limited to 30 s switching at zero current maximum • limited to 60 s switching at zero current maximum 	5 524 A; Use minimum cross-section acc. to AC-1 rated value 4 579 A; Use minimum cross-section acc. to AC-1 rated value 3 153 A; Use minimum cross-section acc. to AC-1 rated value 1 883 A; Use minimum cross-section acc. to AC-1 rated value 1 445 A; Use minimum cross-section acc. to AC-1 rated value
no-load switching frequency	
<ul style="list-style-type: none"> • at AC • at DC 	1 000 1/h 1 000 1/h
operating frequency	
<ul style="list-style-type: none"> • at AC-1 maximum • at AC-2 maximum • at AC-3 maximum • at AC-3e maximum • at AC-4 maximum 	750 1/h 250 1/h 500 1/h 500 1/h 130 1/h
Control circuit/ Control	
type of voltage of the control supply voltage	AC/DC
control supply voltage at AC	
<ul style="list-style-type: none"> • at 50 Hz rated value • at 60 Hz rated value 	21 ... 27.3 V 21 ... 27.3 V
control supply voltage at DC rated value	21 ... 27.3 V
operating range factor control supply voltage rated value of magnet coil at DC	
<ul style="list-style-type: none"> • initial value • full-scale value 	0.8 1.1
operating range factor control supply voltage rated value of magnet coil at AC	
<ul style="list-style-type: none"> • at 50 Hz • at 60 Hz 	0.8 ... 1.1 0.8 ... 1.1
type of PLC-control input according to IEC 60947-1	Type 2
consumed current at PLC-control input according to IEC 60947-1 maximum	20 mA
voltage at PLC-control input rated value	24 V
operating range factor of the voltage at PLC-control input	0.8 ... 1.1
design of the surge suppressor	with varistor
apparent pick-up power	
<ul style="list-style-type: none"> • at minimum rated control supply voltage at AC <ul style="list-style-type: none"> — at 50 Hz — at 60 Hz • at maximum rated control supply voltage at AC <ul style="list-style-type: none"> — at 60 Hz — at 50 Hz 	400 VA 400 VA 530 VA 530 VA
apparent pick-up power of magnet coil at AC	
<ul style="list-style-type: none"> • at 50 Hz • at 60 Hz 	530 VA 530 VA
inductive power factor with closing power of the coil	
<ul style="list-style-type: none"> • at 50 Hz • at 60 Hz 	0.8 0.8
apparent holding power	
<ul style="list-style-type: none"> • at minimum rated control supply voltage at DC • at maximum rated control supply voltage at DC 	2.8 VA 3.4 VA
apparent holding power	
<ul style="list-style-type: none"> • at minimum rated control supply voltage at AC <ul style="list-style-type: none"> — at 50 Hz — at 60 Hz • at maximum rated control supply voltage at AC <ul style="list-style-type: none"> — at 50 Hz — at 60 Hz 	5.5 VA 5.5 VA 8.5 VA 8.5 VA
inductive power factor with the holding power of the coil	
<ul style="list-style-type: none"> • at 50 Hz • at 60 Hz 	0.5 0.4

closing power of magnet coil at DC	580 W
holding power of magnet coil at DC	3.4 W
closing delay	
• at AC	45 ... 80 ms
• at DC	45 ... 80 ms
opening delay	
• at AC	80 ... 100 ms
• at DC	80 ... 100 ms
arcing time	10 ... 15 ms
control version of the switch operating mechanism	PLC-IN or Standard A1 - A2 (adjustable)
Auxiliary circuit	
number of NC contacts for auxiliary contacts instantaneous contact	2
number of NO contacts for auxiliary contacts instantaneous contact	2
operational current at AC-12 maximum	10 A
operational current at AC-15	
• at 230 V rated value	6 A
• at 400 V rated value	3 A
• at 500 V rated value	2 A
• at 690 V rated value	1 A
operational current at DC-12	
• at 24 V rated value	10 A
• at 48 V rated value	6 A
• at 60 V rated value	6 A
• at 110 V rated value	3 A
• at 125 V rated value	2 A
• at 220 V rated value	1 A
• at 600 V rated value	0.15 A
operational current at DC-13	
• at 24 V rated value	10 A
• at 48 V rated value	2 A
• at 60 V rated value	2 A
• at 110 V rated value	1 A
• at 125 V rated value	0.9 A
• at 220 V rated value	0.3 A
• at 600 V rated value	0.1 A
contact reliability of auxiliary contacts	1 faulty switching per 100 million (17 V, 1 mA)
UL/CSA ratings	
full-load current (FLA) for 3-phase AC motor	
• at 480 V rated value	302 A
• at 600 V rated value	289 A
yielded mechanical performance [hp]	
• for 3-phase AC motor	
— at 200/208 V rated value	100 hp
— at 220/230 V rated value	125 hp
— at 460/480 V rated value	250 hp
— at 575/600 V rated value	300 hp
contact rating of auxiliary contacts according to UL	A600 / Q600
Short-circuit protection	
design of the fuse link	
• for short-circuit protection of the main circuit	
— with type of coordination 1 required	gG: 500 A (690 V, 100 kA)
— with type of assignment 2 required	gG: 400 A (690 V, 100 kA), aM: 315 A (690 V, 50 kA), BS88: 400 A (415 V, 50 kA)
• for short-circuit protection of the auxiliary switch required	gG: 10 A (500 V, 1 kA)
Installation/ mounting/ dimensions	
mounting position	with vertical mounting surface +/-90° rotatable, with vertical mounting surface +/- 22.5° tiltable to the front and back
fastening method	screw fixing
height	210 mm
width	145 mm

depth	202 mm
required spacing	
<ul style="list-style-type: none"> ● with side-by-side mounting <ul style="list-style-type: none"> — forwards 20 mm — upwards 10 mm — downwards 10 mm — at the side 0 mm ● for grounded parts <ul style="list-style-type: none"> — forwards 20 mm — upwards 10 mm — at the side 10 mm — downwards 10 mm ● for live parts <ul style="list-style-type: none"> — forwards 20 mm — upwards 10 mm — downwards 10 mm — at the side 10 mm 	

Connections/ Terminals

type of electrical connection	
<ul style="list-style-type: none"> ● for main current circuit Connection bar ● for auxiliary and control circuit spring-loaded terminals ● at contactor for auxiliary contacts Spring-type terminals ● of magnet coil Spring-type terminals 	
width of connection bar	25 mm
thickness of connection bar	6 mm
diameter of holes	11 mm
number of holes	1
type of connectable conductor cross-sections	
<ul style="list-style-type: none"> ● for AWG cables for main contacts 2/0 ... 500 kcmil 	
connectable conductor cross-section for main contacts	
<ul style="list-style-type: none"> ● stranded 70 ... 240 mm² 	
connectable conductor cross-section for auxiliary contacts	
<ul style="list-style-type: none"> ● solid or stranded 0.25 ... 2.5 mm² ● finely stranded with core end processing 0.25 ... 1.5 mm² ● finely stranded without core end processing 0.25 ... 2.5 mm² 	
type of connectable conductor cross-sections	
<ul style="list-style-type: none"> ● for auxiliary contacts <ul style="list-style-type: none"> — solid 2x (0.25 ... 2.5 mm²) — solid or stranded 2x (0,25 ... 2,5 mm²) — finely stranded with core end processing 2x (0.25 ... 1.5 mm²) — finely stranded without core end processing 2x (0.25 ... 2.5 mm²) ● for AWG cables for auxiliary contacts 2x (24 ... 14) 	
AWG number as coded connectable conductor cross section	
<ul style="list-style-type: none"> ● for auxiliary contacts 24 ... 14 	

Safety related data

product function	
<ul style="list-style-type: none"> ● mirror contact according to IEC 60947-4-1 Yes ● positively driven operation according to IEC 60947-5-1 No ● suitable for safety function Yes 	
suitability for use safety-related switching OFF	Yes; safety-related disconnection via A1 A2
service life maximum	20 a
test wear-related service life necessary	Yes
proportion of dangerous failures	
<ul style="list-style-type: none"> ● with low demand rate according to SN 31920 40 % ● with high demand rate according to SN 31920 73 % 	
B10 value with high demand rate according to SN 31920	1 000 000
failure rate [FIT] with low demand rate according to SN 31920	100 FIT
ISO 13849	
device type according to ISO 13849-1	3

overdimensioning according to ISO 13849-2 necessary	Yes
IEC 61508	
safety device type according to IEC 61508-2	Type A
Electrical Safety	
protection class IP on the front according to IEC 60529	IP00; IP20 with box terminal/cover
touch protection on the front according to IEC 60529	finger-safe, for vertical contact from the front with box terminal/cover

Approvals Certificates

General Product Approval

[Confirmation](#)



[KC](#)

General Product Approval	EMV	Functional Safety	Test Certificates	Marine / Shipping
--------------------------	-----	-------------------	-------------------	-------------------



[Type Examination Certificate](#)

[Type Test Certificates/Test Report](#)

[Special Test Certificate](#)



Marine / Shipping	other
-------------------	-------



[Confirmation](#)

[Confirmation](#)

other	Railway	Environment
-------	---------	-------------

[Miscellaneous](#)

[Special Test Certificate](#)

[Environmental Confirmations](#)

Further information

Information on the packaging

<https://support.industry.siemens.com/cs/ww/en/view/109813875>

Information- and Downloadcenter (Catalogs, Brochures,...)

<https://www.siemens.com/ic10>

Industry Mall (Online ordering system)

<https://mall.industry.siemens.com/mall/en/en/Catalog/product?mlfb=3RT1066-2NB36>

Cax online generator

<http://support.automation.siemens.com/WW/CAXorder/default.aspx?lang=en&mlfb=3RT1066-2NB36>

Service&Support (Manuals, Certificates, Characteristics, FAQs,...)

<https://support.industry.siemens.com/cs/ww/en/ps/3RT1066-2NB36>

Image database (product images, 2D dimension drawings, 3D models, device circuit diagrams, EPLAN macros, ...)

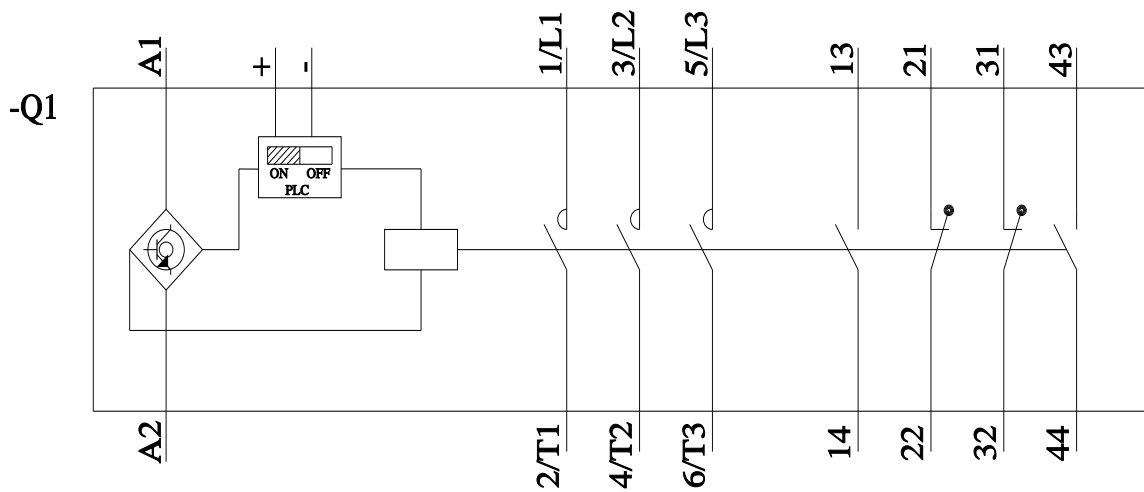
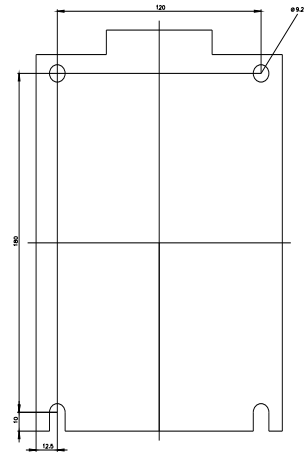
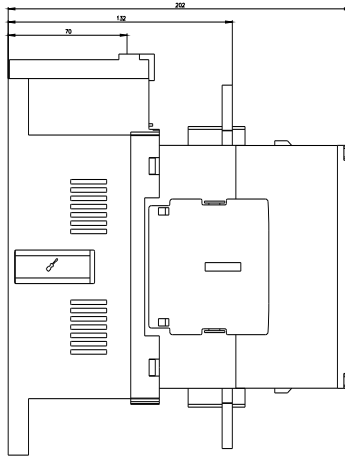
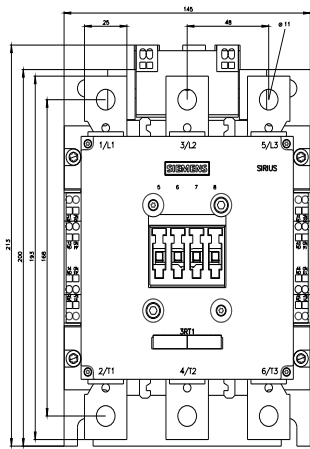
http://www.automation.siemens.com/bilddb/cax_de.aspx?mlfb=3RT1066-2NB36&lang=en

Characteristic: Tripping characteristics, I²t, Let-through current

<https://support.industry.siemens.com/cs/ww/en/ps/3RT1066-2NB36/char>

Further characteristics (e.g. electrical endurance, switching frequency)

<http://www.automation.siemens.com/bilddb/index.aspx?view=Search&mlfb=3RT1066-2NB36&objecttype=14&gridview=view1>



last modified:



