

Compact Non-contact Door Switch

D40Z

Wide range of applications
at the highest safety level



» Visible safety

» Ultimate safety level

» Versatile applications

Compliant with Safety PLe/Category 4 (ISO 13849-1)

The compact non-contact feature allows easier installation for a wide range of environments.

The D40Z can be used in work environments under any risk level.
Its combination with safety controllers allows for a wide range of applications.

Electromagnetic Induction Method



Actual Size

〈D40Z〉

Mounts on Either Side

Safety Categories

Different types of machines will have different levels of associated risk. As an index for determining the function to secure safety (safety function) based on the risk evaluation, the ISO 13849-1 which stipulates safety-related parts of control systems, categorizes the capability to maintain safety functions in the event of control system failures as category B to 4.

Performance Level (PL)

An index of the safety control system performance level shared by a person who implements risk assessment and a person who designs a machine is called Performance Level (hereinafter abbreviated as "PL") and has 5 levels of evaluation from "a" to "e".

For details on safety category and PL, refer to page 6.

High level of safety for a wide range of applications

ISO 13849-1 (PLe/Safety Category 4) achieved with Non-contact Door Switches

• Self-diagnostic Function

OMRON's unique electromagnetic induction system for safety was achieved by implementing a detection function for external wiring errors in the Switch.

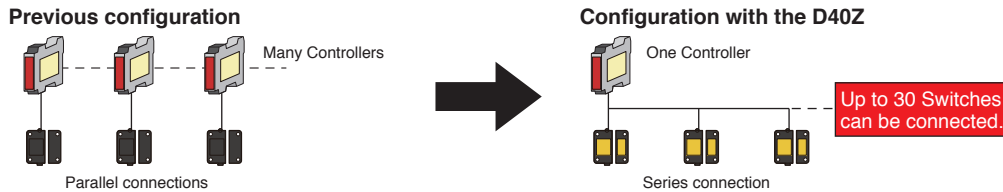
• Redundant internal circuits

The thorough pursuit of safety is evident in mutual checking by double CPUs.

Series connections

• Up to 30 Switches can be connected to one Controller while maintaining PLe/safety category 4.

The D40Z can be connected to G9SP or G9SX-NS Safety Controllers. Select the best model for your application.

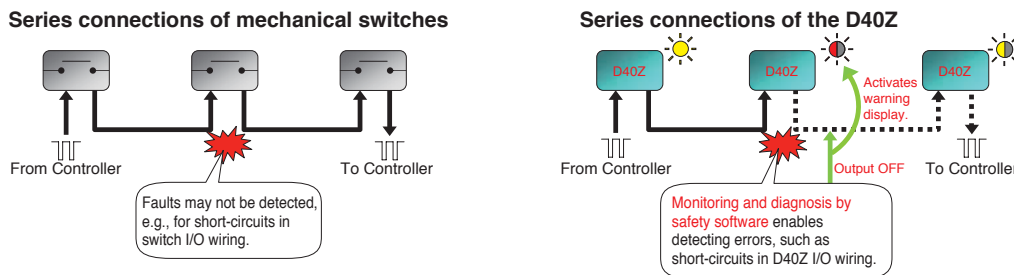


Note 1 : The G9SP supports 2 channels of 15 units each. For more information, refer to **Applicable level and the number of connections according to controller combination** on page 6.

Note 2 : Refer to page 18 for details on safety categories (ISO 13849-1).

How PLe/safety category 4 was achieved with series connections

• Safety software monitoring and diagnosis to detect failures (not possible with series connections of mechanical switches)



Electromagnetic induction method

• Enables stable detection

With these electronic switches, stable detection is possible even when the door closes slowly.

• No adhesion of iron particles

Permanent magnets are not used, so iron is not attracted, making maintenance easier.

Visible safety

Checking at the production site

The switch's LED indication patterns make identification of abnormal condition possible at the production sites.

Note: For more information, refer to page 10.



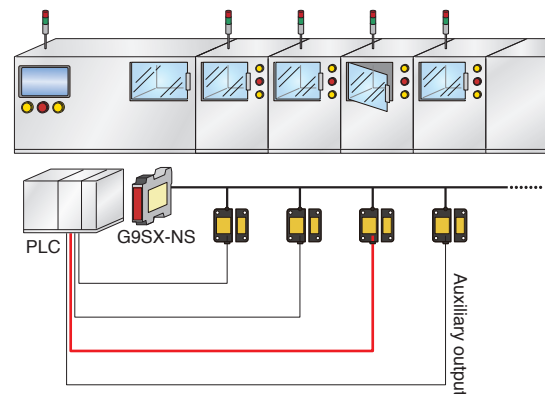
- Yellow LED ON : Door closed (normal)
- Yellow LED Blinking : When connected in series; Other D40Zs are turned OFF etc.
- Red LED ON : Door Open
- Red LED Blinking : Error occurred

Centralized monitoring

The auxiliary output supports bipolar NPN/PNP, allowing for easy connection with any PLC.

The error location can be easily identified.

Using a branch relay for a different pole is not required.



For an easier and safer work environment in all industries. The application of the D40Z will continue to increase in all environments.



Automotive manufacturing (multi-axis robot)

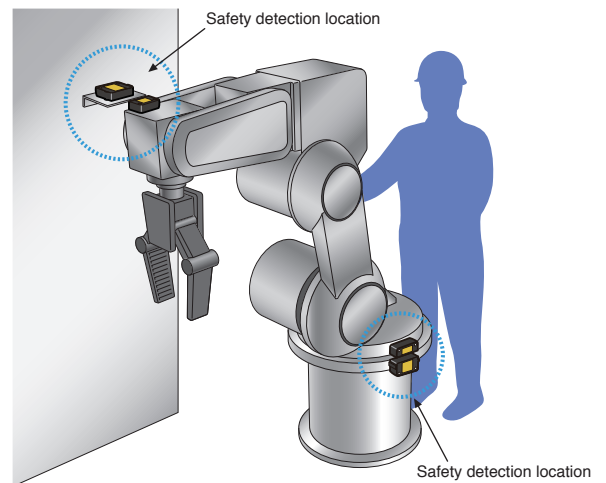
Position detection of a robot (hazard)

Problem

Detecting the position of a multi-axis robot is difficult using a limit switch. Additionally, it is easy to disable the function.

Solution

The non-contact door switch enables ease in detecting the robot position which prevents the operator from easily disabling the function. The maintenance work is safer than ever as the switch conforms to ISO 13849-1 (PLe/safety category 4).



Key factor

Wide detection area
ISO 13849-1 (PLe/Safety Category 4)



FPD

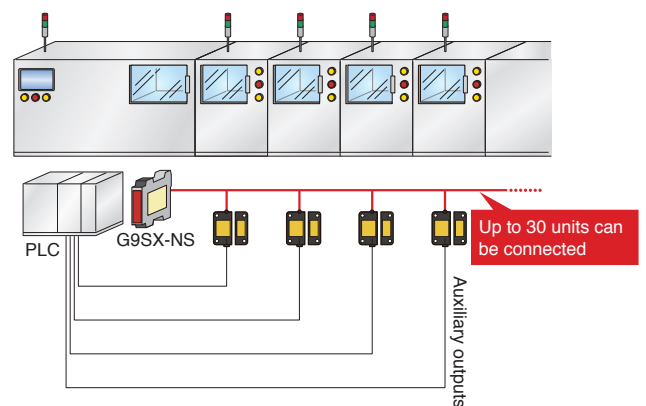
Manufacturing process

Problem

There are too many doors, and it takes too long to identify the location of a failure when it occurs.

Solution

Auxiliary output is provided for each switch. As each switch can be monitored, it is possible to pinpoint the location of the failure.




Key factor

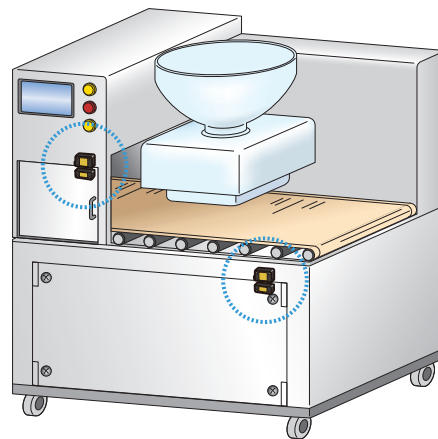
PNP/NPN
Up to 30 units connectable


Other Application Examples
Equipment for long production lines

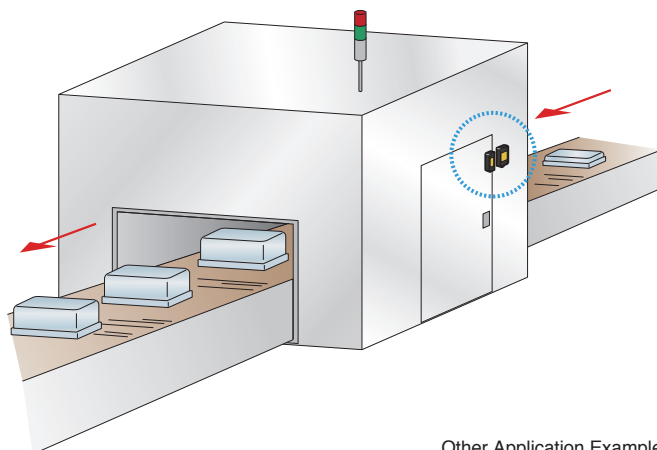
The D40Z solves problems at the production sites of various industries that require safety (FPD, automotive parts, food, packaging, multi-axis robot, etc).

The D40Z supports a wide range of risk levels, contributing to a safer environment at production sites for various industries' applications.

| | | |
|--|---|---|
|  | <h3>Food</h3> | <h3>Material processing</h3> |
| | <h4>Problem</h4> | <p>The machine's small size limits the space available to install a switch.</p> |
| <h4>Solution</h4> | <p>The D40Z's compact size fits into a narrow space (Switch: 48x48x25 mm, Actuator: 48x48x17 mm). The D40Z can be used at an ambient operating temperature of up to 65°C.</p> | |
| <h4>Key factor</h4> | <p>Compact size Improvement on ambient operating temperature</p> | |



| | | |
|--|--|---|
|  | <h3>Automotive parts</h3> | <h3>Manufacturing process for secondary batteries</h3> |
| | <h4>Problem</h4> | <p>Although safety is ensured with a contact door switch, particles are generated which affect product quality.</p> |
| <h4>Solution</h4> | <p>With the non-contact door switch D40Z, no particles will be generated through friction.</p> | |
| <h4>Key factor</h4> | <p>No particles generation</p> | |



Other Application Examples
Cleanrooms

A wide range of choices for the versatile applications

A combination of non-contact door switches and safety controllers can be selected according to the application or the required risk level.

Mounting compatibility with the D40A allows for standardization of machine design.

Non-contact Door Switch ■ Applicable level and the number of connections according to controller combination

PL/
Safety
Category

PLe/4



D40Z

| Combination | PL (maximum value) | Safety Category | Number of connectable D40Z Series |
|-----------------|--------------------|-----------------|-----------------------------------|
| G9SP + D40Z | PLe | 4 | 15 x 2 channels* |
| G9SX-NS + D40Z | PLe | 4 | 30 |
| G9SX-NSA + D40Z | PLe | 4 | 30 |

PLd/3



D40A

| Combination | PL (maximum value) | Safety Category | Number of connectable D40Z Series |
|-----------------|--------------------|-----------------|-----------------------------------|
| G9SP + D40A | PLd | 3 | 15 x 2 channels* |
| G9SX-NS + D40A | PLd | 3 | 30 |
| G9SX-NSA + D40A | PLd | 3 | 30 |

* G9SP-N10S supports 15 x 1 channel.

Selection of Safety Controllers for D40Z

[Connectable Controllers]

Safety Controller G9SP

Non-contact Door Switch Controller G9SX-NS

Safety Controller G9SP

- Combine function blocks for flexible programming
- Extensive system configurations
- Decreased work hours by convenient configurator

Function blocks



G9SP Series Catalog
Catalog No.: F090

Non-contact Door Switch Controller G9SX-NS

- Easy expansion of output points with an expansion unit
- Improved maintainability with LED display
- No special programming required



D40A/G9SX-NS Catalog
Catalog No.: C140

Note: For product information, refer to your OMRON website.

Compact non-contact Door Switch D40Z


**Supports ISO 13849-1 (PLe/Safety Category 4).
Can be used on higher risk level applications
by connecting to Safety Controllers.**



- Supports a wide range of applications in combination with Safety Controller G9SP or Non-contact Door Switch Controller G9SX-NS□.
- Up to 30 units can be connected.
Ideal for middle to large scale device applications.
- Contributes to shortening the time it takes to find the cause of failure by the switch's LED display patterns.
- Photocoupler monitor output allows connection to a general-purpose PLC (NPN type).
- Compatibility with the D40A allows standardization of machine design.
- Compact Non-contact Door Switch can be mounted from both sides.



For the most recent information on models that have been certified for safety standards, refer to your OMRON website.

 Refer to "Safety Precautions" on page 16

Model Number Structure

Model Number Legend

Non-contact Door Switch (Switch/Actuator)

D40Z-□□□
1 2 3

1 Type

1: Standard model (Switch/Actuator)

2 Auxiliary Output

C: 1 NO (Photocoupler Output)

3 Cable length

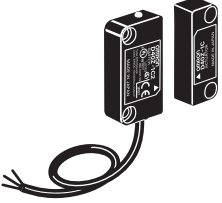
2: 2 m
5: 5 m

Note: Must be used in combination with a G9SP Safety Controller or G9SX-NS□ Non-contact Door Switch Controller.
For details, refer to G9SP Series Catalog (Cat.No.F090) or D40A/G9SX-NS Catalog (Cat.No.C140).

Ordering Information

List of Models

Non-contact Door Switches (Switch/Actuator)

| Classification | Appearance | Auxiliary monitoring output | Cable length | Model |
|-----------------|---|-----------------------------|--------------|----------|
| Standard models |  | Photocoupler outputs *1 | 2 m | D40Z-1C2 |
| | | | 5 m | D40Z-1C5 |

Note: Must be used in combination with a G9SP Safety Controller or a G9SX-NS□ Non-contact Door Switch Controller.

*1. Photocoupler output. Load current: 10 mA

Controllers

Non-contact Door Switch Controller G9SX-NS□

| Safety outputs *1 | | Auxiliary monitoring output *3 | Logical AND connection input | Logical AND connection output | OFF-delayed Max. OFF-delay time *4 | Rated voltage | Terminal block type | Model |
|-----------------------|-----------------------|--------------------------------|------------------------------|-------------------------------|------------------------------------|---------------|-----------------------|--------------------|
| Instantaneous | OFF-delayed *2 | | | | | | | |
| 2 (Semiconductors) | 0 | 2 (Semiconductors) | 1 | 1 | -- | 24 VDC | Screw terminals | G9SX-NS202-RT |
| | | | | | | | Spring-cage terminals | G9SX-NS202-RC |
| | 2 (Semiconductors) | | | | 3.0 s | | Screw terminals | G9SX-NSA222-T03-RT |
| | | | | | | | Spring-cage terminals | G9SX-NSA222-T03-RC |

Note: For details, refer to the D40A/G9SX-NS Catalog (Cat. No. C140).

*1. P channel MOS FET transistor output

*2. The OFF-delayed output becomes an instantaneous output by setting the OFF-delay time to 0 s.

*3. PNP transistor output

*4. The OFF-delay time can be set in 16 steps as follows:

0/0.2/0.3/0.4/0.5/0.6/0.7/0.8/0.9/1.0/1.2/1.4/1.8/2.0/2.5/3.0 s

Safety Controller G9SP Series

| Name | No. of I/O points | | | | Unit version | Model |
|-------------------|-------------------|--------------|---------------------------|------------------|--------------|-----------|
| | Safety inputs | Test outputs | Safety outputs | Standard outputs | | |
| Safety Controller | 10 | 4 | Semiconductor outputs: 4 | 4 | Ver.2.0 | G9SP-N10S |
| | 10 | 6 | Semiconductor outputs: 16 | -- | | G9SP-N10D |
| | 20 | 6 | Semiconductor outputs: 8 | -- | | G9SP-N20S |

Note: For details, refer to the G9SP Catalog (Cat. No. F090).

Specifications

Ratings and Characteristics

| Item | Model | D40Z-1C□ |
|--|-------------------------------|---|
| Interlock type | | Type 4 (EN ISO 14119) |
| Coding level | | Low level coded (EN ISO 14119) |
| Operating characteristics *2 | Operating distance (OFF → ON) | 5 mm min. *1 |
| | Operating distance (ON → OFF) | 15 mm max. *1 |
| | Differential travel | 20% or less of operating distance at 23 °C (maximum 2.5 mm) |
| | Influence of temperature | 20% or less of operating distance at 23 °C within temperature range of -10 to 65 °C |
| | Repeat accuracy | ±10% of operating distance at 23 °C |
| Ambient operating temperature | | -10 to 65 °C (with no icing or condensation) |
| Ambient operating humidity | | 25% to 85% |
| Insulation resistance (between charged parts and case) | | 50 MΩ max. (at 500 VDC) |
| Dielectric strength (between charged parts and case) | | 1,000 VAC for 1 min |
| Degree of contamination | | 3 |
| Electromagnetic compatibility | | IEC/EN 60497-5-3 compliant |
| Vibration resistance | | 10 to 55 to 10 Hz (single amplitude: 0.75 mm, double amplitude: 1.5 mm) |
| Shock resistance | | 300 m/s ² min. |
| Degree of protection | | IP67 |
| Material | | PBT resin |
| Mounting method | | M4 screws |
| Terminal screw tightening torque | | 1 N·m |
| Power supply voltage | | 24 V DC +10%/-15% |
| Power consumption *3 | | 0.5 W max. |
| Auxiliary monitoring output | | Photocoupler output: 24 V DC, load current: 10 mA |
| LED indicators | | Actuator not detected (lights in red); error occurred (blinks in red), actuator detected (lights in yellow), actuator detected and Non-contact Door Switch input OFF (blinks in yellow) |
| Connecting cables | | 2 m, 5 m |
| Number of connectable switches | | 30 max. (wiring length: 100 m max.)*4 |
| Weight | | Switch: approx. 175 g, actuator: approx. 20 g (D40Z-1C5) |

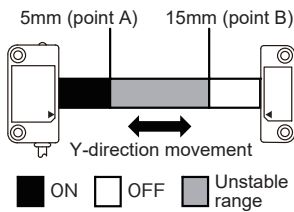
*1. The condition of this distance are that the switch and actuator target marks are on the same axis and the sensing surfaces are exactly parallel condition. OFF to ON distance shows the switch approaching (Point A in the engineering data graph) and ON to OFF distance shows the switch separating away (Point B in the engineering data graph).

*2. For details on response time and operating time, refer to the catalog or manual of a safety controller to be connected.

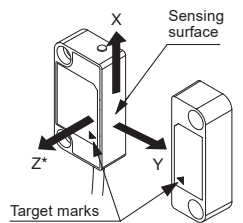
*3. Power to be provided to the load is not included.

*4. For details, refer to item "Precautions for Correct Use".

Engineering Data

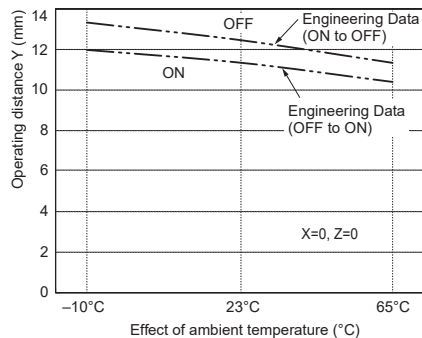


- Note:**
- The operating distance is the distance between the switch and actuator sensing surfaces.
 - The graph of detection area indicates shifting to X or Z direction from following condition that the switch and actuator target marks are on the same axis and the sensing surfaces are exactly parallel condition. Dashed lines indicate reference value for maximum and minimum operating distance at ambient temperature +23°C. The solid line indicates reference values of the maximum and minimum operating distances.
 - The operating distance may be affected by ambient metal, magnet catches, and temperature.
 - Detection may occur other than on the detection surfaces of the switch and actuator. Before you use the switch and actuator, refer to "Switch and Actuator Operation" on page 18 to set the detection surfaces of the switch and actuator face to face.

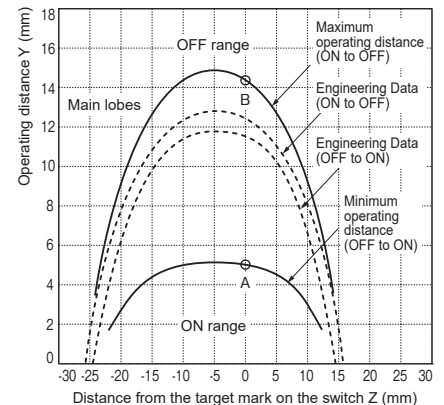
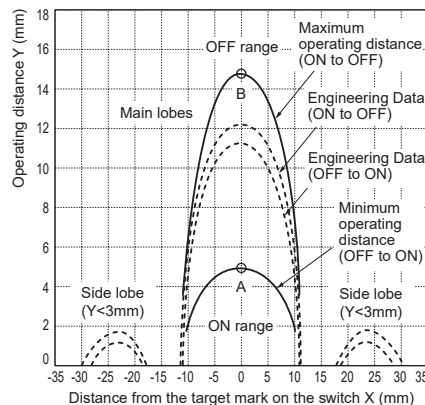


* The movement of the arrow direction indicates the positive direction on the graph.

Influence of ambient temperature



Detection area



| LED indicator | Causes and corrective actions *1 | |
|--------------------------------|---|--|
| ● OFF | Fault in power supply input (brown/blue) | Power supply input may be improperly wired. Check and correct wiring of brown and blue lines. Refer to "Wiring of Inputs and Outputs" on page 11. |
| | | Power supply voltage to D40Z may be insufficient. Check the power supply voltage (between brown and blue lines) of D40Z fills ratings. Refer to "Specifications" on page 9. |
| | | The wiring length or size of the wire may not be to the specification. Check the wiring length and size of the wire. Refer to "Precautions for Correct Use". |
| ☀ Red continuously blinking | Noise or D40Z failure | There may be excessive noise. Check and correct ambient noise environment. There may be a failure in internal circuit. Replace with a new D40Z. |
| | Fault in power supply input (brown/blue) | Power supply voltage to D40Z may be insufficient. Check the power supply voltage (between brown and blue cables) of D40Z fills ratings. Refer to "Specifications" on page 9. The wiring length or size of the wire may not be to the specification. Check the wiring length and size of the wire. Refer to "Precautions for Correct Use". |
| ☀ Red blinks once for 2s | Fault in Non-contact door switch output (black) | Black line may be shorted to other line. Check and correct wiring of black line if the black line is shorted to other lines. Refer to "Wiring of Inputs and Outputs" on page 11. |
| ☀ Red blinks twice for 2s | Sensing fault | Invalid actuator may be in a close range to switch. Use the dedicated actuator. |
| ☀ Red blinks thrice for 2s | Fault in Non-contact door switch input (white) | Faulty signal may be input to white line. Check and correct wiring of white line. Refer to "Wiring of Inputs and Outputs" on page 11. |
| ☀ Yellow blinking | OFF state of another D40Z | Another D40Z may be in OFF state. Check status of another D40Z connected to the white line and the wiring. Refer to "Switch and Actuator Operation" on page 18 or "Wiring of Inputs and Outputs" on page 11. |
| | Fault in Non-contact door switch input (white) | White line may be disconnected. Check and correct wiring of white line. Refer to "Wiring of Inputs and Outputs" on page 11. |
| ○ Red Solid-ON *2 | Actuator fault | There may be a failure in actuator. Replace with a new D40Z. |
| ○ Yellow Solid-ON *3 | Fault in Non-contact door switch input (white) | White line connected to D1 terminal (test output terminal of G9SP) of G9SX-NS□ may be shorted to other line. Check and correct wiring of white line connected to D1 terminal (test output terminal of G9SP) of G9SX-NS□ if the white line is shorted to other lines. Refer to "Wiring of Inputs and Outputs" on page 11. |
| | Fault in Non-contact door switch output (black) | Black line connected to D2 terminal (safety input terminal of G9SP) of G9SX-NS□ may be disconnected. Check and correct wiring of black line connected to D2 terminal (safety input terminal of G9SP) of G9SX-NS□. Refer to "Wiring of Inputs and Outputs" on page 11. |

*1. Another possible cause is a failure in internal circuit. In this case, replace with a new D40Z.

Yet another possible cause is excessive noise. In this case, check and correct ambient noise environment.

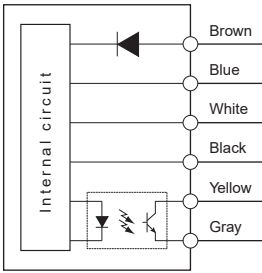
*2. Troubleshooting when the actuator is not detected (Red Solid-ON) although the guard door is closed.

*3. Troubleshooting when the system stops although the guard door is closed and the actuator is detected (Yellow Solid-ON).

Connections

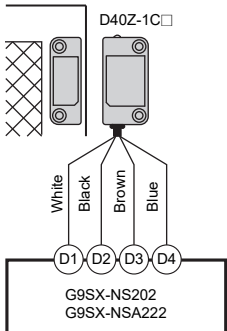
Internal Circuit Diagram

D40Z-1C□



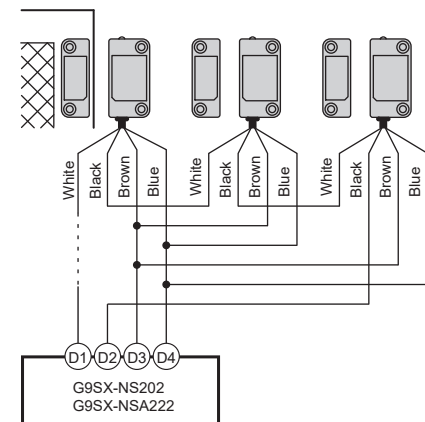
D40Z and G9SX-NS□ Wiring

Example: Wiring a Single Switch



Example: Wiring Multiple Switch

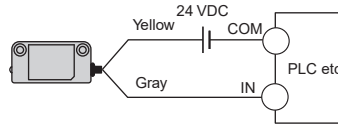
Connect up to 30 Non-contact Door Switches.



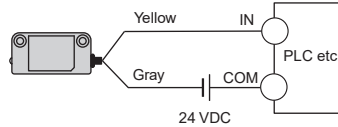
Example: Wiring Auxiliary Output

The auxiliary output of D40Z supports the input polarity of both PNP and NPN.

PNP



NPN



Note: The auxiliary output load current must be 10 mA max.
Wrong connection may lead to a failure of the auxiliary output circuit.

Wiring of Inputs and Outputs

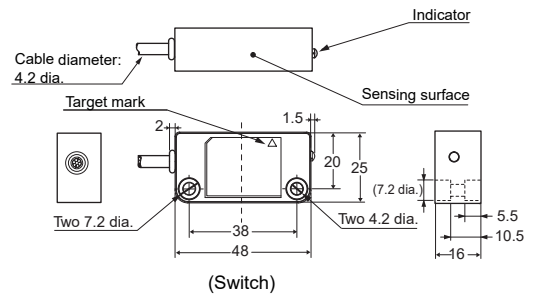
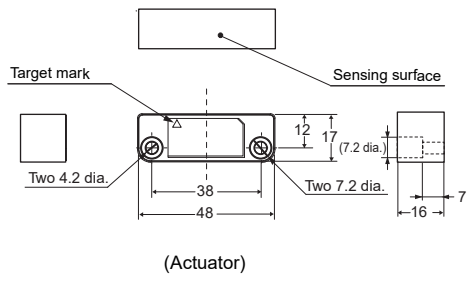
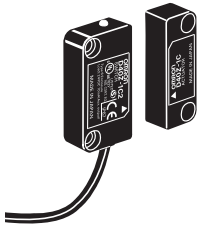
| Signal name | | Cable color | Description of operation |
|--|---|-------------|---|
| Non-contact Door Switch power supply input | + | Brown | Supplies power to the D40Z. |
| | - | Blue | |
| Non-contact door switch input | | White | To set non-contact door switch output in ON state, non-contact door switch signal input must be in ON state. |
| Non-contact door switch output | | Black | Output status depends on statuses of actuator and non-contact door switch signal input. |
| Auxiliary monitoring output | | Yellow | Output status depends on status of actuator. When a fault is detected, turns into OFF state regardless of actuator status. |
| | | Gray | |

For more information on connection terminal and wiring of G9SP, refer to G9SP Series Safety Controller OPERATION MANUAL (Man. No. Z922).

Non-contact Door Switch

D40Z-1C2

D40Z-1C5



Application Examples

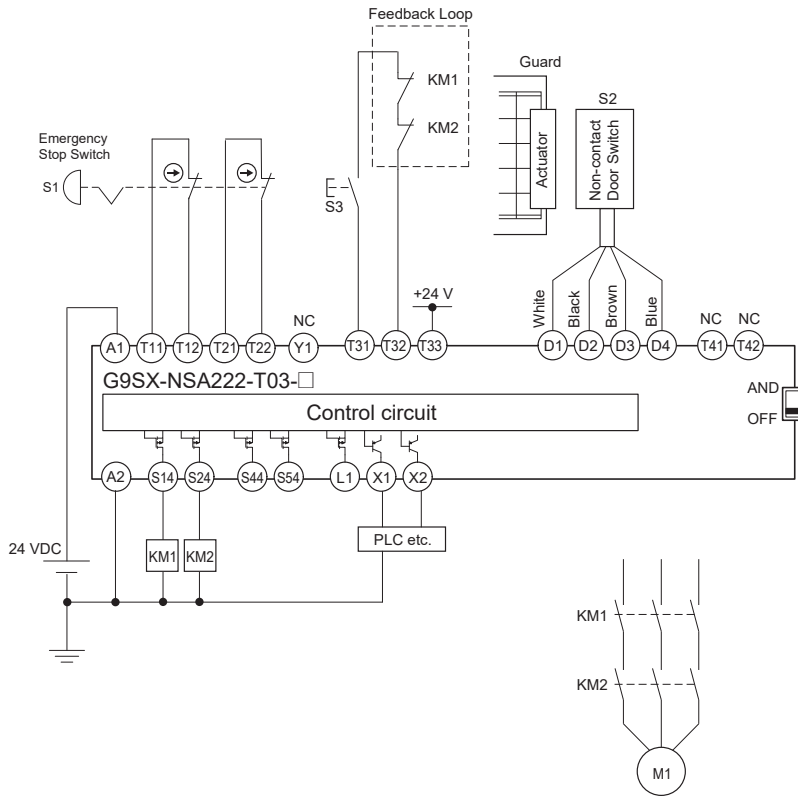
Connection Example 1: G9SX-NS□

| Highest achievable PL/safety category | Model | Stop category | Reset |
|---------------------------------------|--|---------------|--------|
| PLe/4 equivalent | Emergency Stop Switch A165E/A22E Non-contact Door Switch D40Z Non-contact Door Switch Controller G9SX-NSA222-T03-□ | 0 | Manual |

Note: The above PL is only the evaluation result of the example. The PL must be evaluated in an actual application by the customer after confirming the usage conditions.

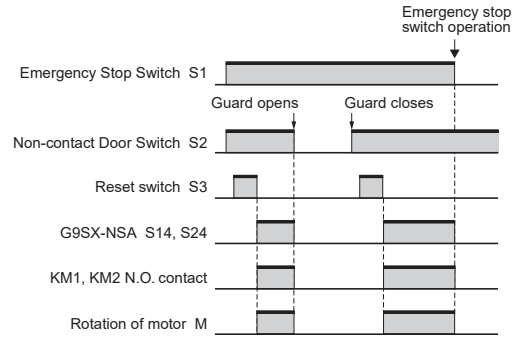
● Application Overview

- The power supply to the motor M1 is turned OFF immediately when the emergency stop switch S1 is pressed.
- The power supply to the motor M1 is turned OFF immediately when the S2 detects that the guard is opened.
- The power supply to the motor M1 is kept OFF until the reset switch S3 is pressed while the guard is closed and the emergency stop switch S1 is released.



- S1: Emergency Stop Switch
- S2: Non-contact Door Switch (D40Z)
- S3: Reset switch
- KM1, KM2: Magnetic contactor
- M1: Motor

Timing chart



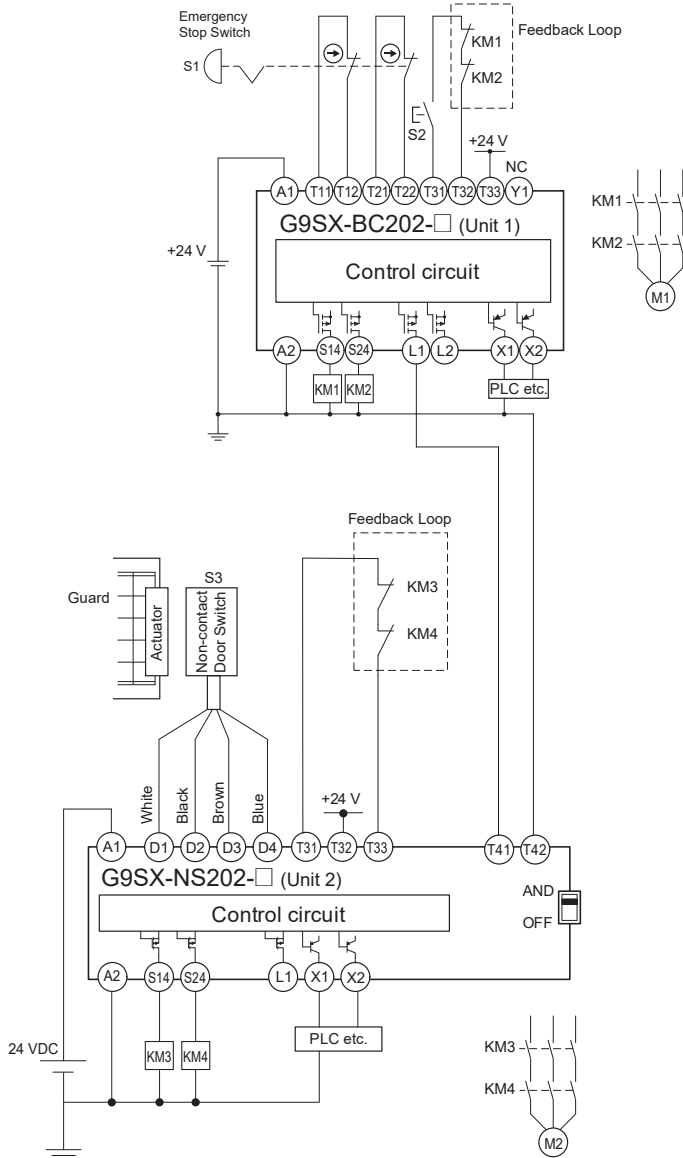
Connection Example 2: G9SX-NS□

| Highest achievable PL/safety category | Model | Stop category | Reset |
|---------------------------------------|--|---------------|--|
| PLe/4 equivalent | Emergency Stop Switch A165E/A22E Non-contact Door Switch D40Z Flexible Safety Unit G9SX-BC202-□ Non-contact Door Switch Controller G9SX-NS202-□ | 0 | Emergency Stop Switch: Manual Non-contact Door Switch: Auto |

Note: The above PL is only the evaluation result of the example. The PL must be evaluated in an actual application by the customer after confirming the usage conditions.

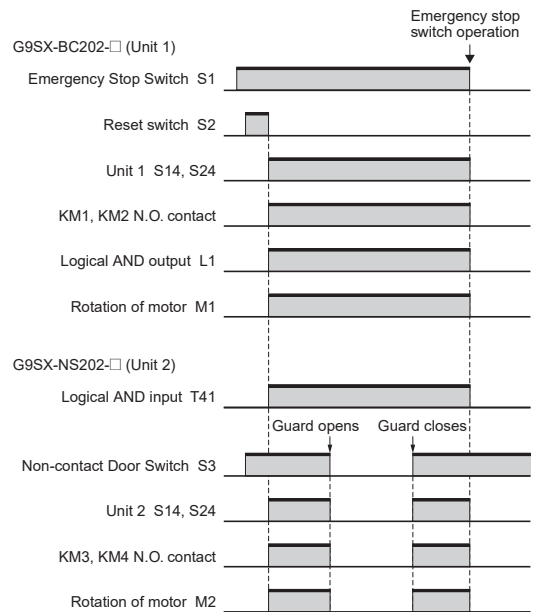
● Application Overview

- The power supply to the motor M1 and M2 is turned OFF immediately when the emergency stop switch S1 is pressed.
- The power supply to the Motor M1 is kept OFF until the reset switch S2 is pressed while the emergency stop switch S1 is released.
- The power supply to the motor M2 is turned OFF immediately when the S3 detects that the guard is opened.
- The power supply to the motor M2 is kept OFF until the reset switch S1 is pressed while the guard is closed and the emergency stop switch S1 is released.



S1: Emergency Stop Switch
S2: Reset switch
KM1, KM2: Magnetic contactor
M1: Motor

Timing chart



S3: Non-contact Door Switch (D40Z)
KM3, KM4: Magnetic contactor
M2: Motor

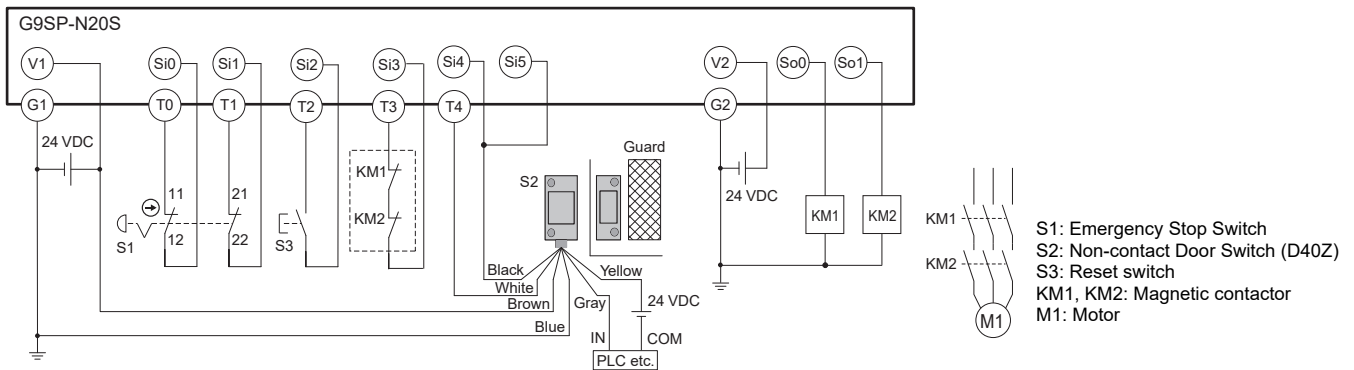
Connection Example: G9SP

| Highest achievable PL/safety category | Model | Stop category | Reset |
|---------------------------------------|--|---------------|--------|
| PLe/4 equivalent | Non-contact Door Switch D40Z Emergency Stop Switch A165E/A22E Safety Controller G9SP | 0 | Manual |

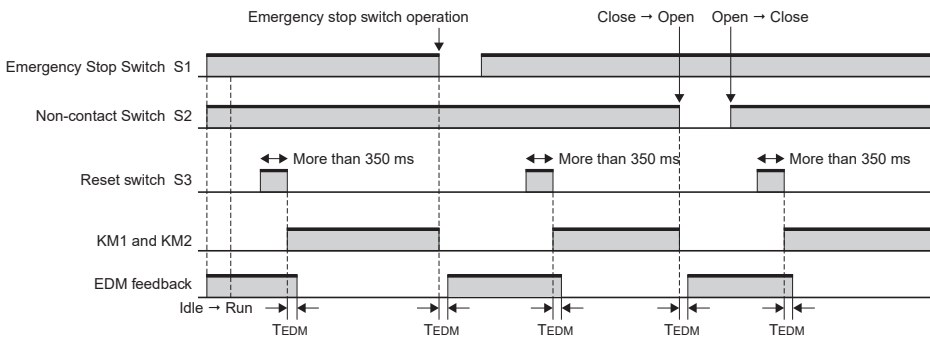
Note: The above PL is only the evaluation result of the example. The PL must be evaluated in an actual application by the customer after confirming the usage conditions.

Application Overview

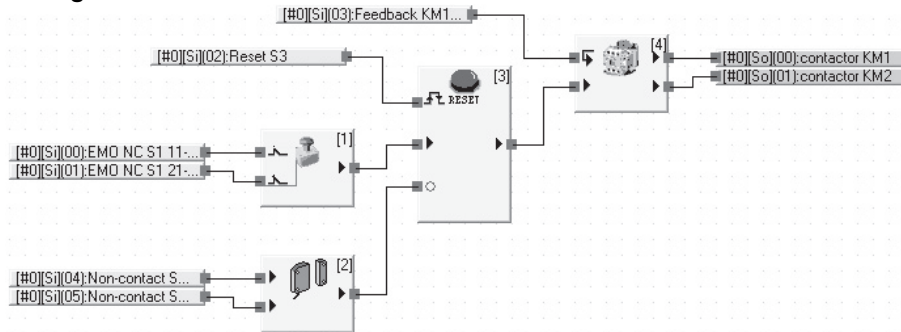
- The power supply to the motor M1 is turned OFF immediately when the emergency stop switch S1 is pressed.
- The power supply to the motor M1 is turned OFF immediately when the S2 detects that the guard is opened.
- The power supply to the motor M1 is kept OFF until the reset switch S3 is pressed while the guard is closed and the emergency stop switch S1 is released.



Timing chart



Program



Safety I/O Terminal Settings

Input Terminals

| Ter... | Name of settings | I/O Comment | Test Source |
|--------|-----------------------|-----------------------|-------------|
| Si0 | Emergency Stop Sw... | EMO NC S1 11-12 | T0 |
| Si1 | Emergency Stop Sw... | EMO NC S1 21-22 | T1 |
| Si2 | Reset Switch | Reset S3 | T2 |
| Si3 | EDM(Contact Weldi... | Feedback KM1_KM2 | T3 |
| Si4 | Non-contact Switch | Non-contact Switch... | T4 |
| Si5 | Non-contact Switch... | Non-contact Switch... | T4 |


Output Terminals

| Ter... | Name of settings | I/O Comment |
|--------|--------------------------------|---------------|
| So0 | 2 Safety Relays w/ welding ... | contactor KM1 |
| So1 | | contactor KM2 |


Note: For details on connection to a G9SP or on the program and settings of G9SP, refer to G9SP Series Safety Controller OPERATION MANUAL (Man. No. Z922).


Be sure to read the *Common Precautions for Safety Warning* at the following URL: <http://www.ia.omron.com/>.


Indication and Meaning for Safe Use


| | |
|--|--|
|  WARNING | Indicates a potentially hazardous situation which, if not avoided, will result in minor or moderate injury, or may result in serious injury or death. Additionally there may be significant property damage. |
| Precautions for Safe Use | Supplementary comments on what to do or avoid doing, to use the product safely. |
| Precautions for Correct Use | Supplementary comments on what to do or avoid doing, to prevent failure to operate, or undesirable effect on product performance. |


WARNING

Serious injury may possibly occur due to breakdown of safety outputs.
Do not connect loads beyond the rated value to the safety outputs.


Serious injury may possibly occur due to loss of required safety functions.
Wire the Edge Controller properly so that supply voltages or voltages for loads do NOT touch the safety outputs accidentally.


Serious injury may possibly occur due to breakdown of safety outputs.
Apply protection circuitry against back electromotive force in case connecting inductive loads to safety outputs.


Serious injury may possibly occur due to loss of required safety functions.
Use appropriate devices referring to the following table.


The machine may start operating and may result in serious injury or death. Do not put the actuator close to the switch when the door is open.


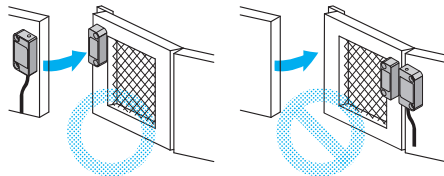
| Control device | Requirements |
|---|--|
| Emergency Stop Switch | Use approved device with direct opening mechanism complying with IEC/EN 60947-5-1. |
| Safety Door Switch, Safety Limit Switch | Use approved device with direct opening mechanism complying with IEC/EN 60947-5-1 and capable of switching micro loads of 24 VDC, 5 mA. |
| Non-contact Door Switch | The G9SX-NS must be used with D40Z Non-contact Door Switches. |
| Relay with forcibly guided contacts | Use approved devices with forcibly guided contacts complying with EN 50205. For feedback, use devices with contacts capable of switching micro loads of 24 VDC, 5 mA. |
| Contactor | Use approved devices complying with IEC/EN 60947-4-1 for auxiliary contact linked with power contact (mirror contact). For feedback, use devices with contacts capable of switching micro loads of 24 VDC, 5 mA. |
| Other devices | Evaluate whether devices used are appropriate to satisfy the requirements of the safety category level. |

Precautions for Safe Use

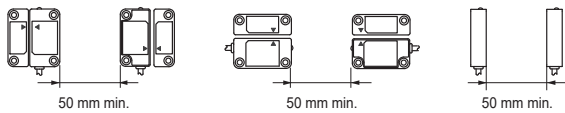
1. Disconnect the G9SX-NS from the power supply when wiring the D40Z. Devices connected to the product may operate unexpectedly.
2. Do not operate the product in atmospheres containing flammable or explosive gas.
3. Wire conductors correctly and verify the operation of the product before using the system in which the product is incorporated. Incorrect wiring may lead to loss of safety functions.
4. Auxiliary monitoring outputs are NOT safety outputs. Do not use auxiliary monitoring outputs as safety outputs. Such incorrect use will cause loss of safety function of D40Z and peripheral devices.
5. After installing the D40Z, qualified personnel must confirm the installation, and must conduct test operations and maintenance. The qualified personnel must be qualified and authorized to secure safety at each phases of design, installation, running, maintenance, and disposal of the system.
6. A qualified person in charge, who is familiar with the machine in which the D40Z is to be installed, must conduct and verify the installation.
7. Be sure to inspect the D40Z daily and every 6 months. Otherwise, serious injury may possibly occur due to system malfunctions.
8. Do not dismantle, repair, or modify the product. Doing so may lead to loss of safety functions.
9. Do not apply DC voltages exceeding the rated voltages, nor any AC voltages to D40Z.
10. Use a DC supply satisfying the requirements given below to prevent electric shock.
 - A DC power supply with double or reinforced insulation, for example, according to IEC/EN 60950 or EN 50178, or a transformer according to IEC/EN 61558.
 - A DC supply satisfying the requirements for class 2 circuits or limited voltage/current circuits stated in UL 508.
11. Connect the D40Z to only appropriate components or devices complying with relevant safety standards corresponding to the required level of safety category. Conformity to requirements of the safety category must be determined for the entire system. It is recommended to consult an authorized certification body regarding assessment of conformity to the required safety level.

Precautions for Correct Use

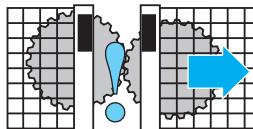
1. The D40Z must be used with a designated actuator and controller to comply with EN ISO 13849-1.
2. Handle with care
Do not drop the product or expose it to excessive vibration or mechanical shock. The product may be damaged and may not function properly.
3. Storage and operating conditions
Do not store or use the products under the following conditions.
 1. In direct sunlight
 2. At ambient temperatures not between -10 and 65°C
 3. At relative humidity not between 25% and 85%
 4. In corrosive or combustible gases
 5. Where subject to vibration or mechanical shock beyond the rated values
 6. Where subject to contact with oil or chemicals
 7. In an atmosphere containing excessive dust, saline, or metal powder
 8. Where iron filings or powder may fall on the product
4. Do not use D40Z at altitudes over 1,000 meters.
5. Do not use to connect other switches or sensors to the wire conductors of D40Z.
6. Disconnect D40Z and the controller connected to D40Z from power supply when replacing D40Z. Failure to do so may cause unexpected operation of devices connected to D40Z.
7. Keep D40Z from solvent such as alcohol, thinner, trichloroethane or gasoline. Such solvents make the marking on D40Z illegible and cause deterioration of parts.
8. Do not use D40Z in the magnetic field of 1.5 mT or more, otherwise D40Z may not function properly.
9. Do not use D40Z in the water or continuous water exposure environment, otherwise water may leak into D40Z. (An enclosure of IP67 rating, which D40Z is rated, protects against temporary immersion in water.)
10. Do not use D40Z switch or actuator as a stopper. Use a stopper to protect the switch and the actuator. Keep a distance of at least 1 mm between the switch and the actuator.
11. Be sure to install D40Z switch and actuator in such as appropriate distance that does not create a gap accessible to the hazard.



12. When two or more Switches are mounted side-by-side, they must be no closer than 50 mm in the X, Y, and Z directions.



13. Be sure that the machine is stopped whenever the guard door is open.



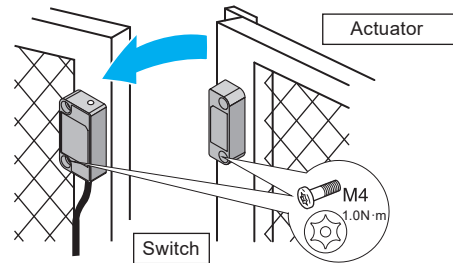
14. Mounting the switch and actuator on metal may affect the operating distance. If there nearby devices that generate strong radio waves or magnetic fields, they may also affect the operating distance through the metal. Do not mount the switch and actuator directly on metal.

When installing them on a metallic material, be sure to verify such an effect before using. Refer to the following table for the estimated effects of mounting on metal on the operating distance.

| Type of metal | Operating distance |
|---|--------------------------------|
| Iron | Approx. 75% of normal distance |
| Aluminum | Approx. 85% of normal distance |
| Stainless steel (Non-magnetic substance) | Approx. 85% of normal distance |

We recommend that you separate the switch and actuator at least 10 mm from all nearby metal.

15. Use M4 screws with a maximum diameter of 7mm and washers to install the switch and actuator. Tighten the screws with a specified torque. After installing and commissioning, coat the switch-actuator fixing screws with tamper-proof varnish or similar compound for locking. Using anaerobic locking compounds can have a detrimental effect on the plastic switch case if the compounds contact with the switch case.

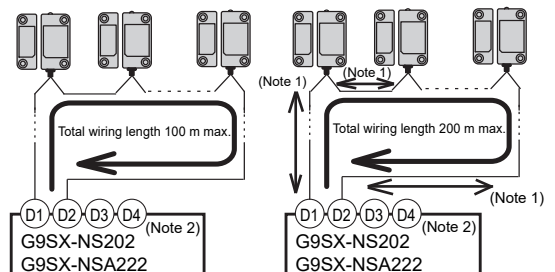


16. Wiring

1. Stranded wire : 0.2 to 2.5 mm AWG24 to AWG12
Solid wire : 0.2 to 2.5 mm AWG24 to AWG12
2. When not using auxiliary output, cut off the unused conductors and protect by insulating-taping to prevent contacting with other terminals.
3. When you use an additional cable of 20 m or longer, use a multiconductor cable to group the white, black, brown, and blue lines together.

17. Use cables of a total length of 100 m max. to connect multiple D40Z switches. However, the total length of 200 m max. is possible depending on the number of D40Z switches connected. The supply voltage to D40Z may decrease by the voltage drop depending on the cable or the wiring configuration. Check the power-supply voltage is in the rated range.

30 or less D40Z connected 15 or less D40Z connected



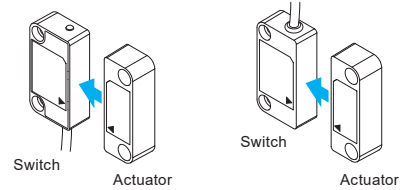
Note 1. The wiring length between the products must be 100 m max.

Note 2. For details on connection terminal and wiring of G9SP, refer to the G9SP Manual (Cat.No.Z922).

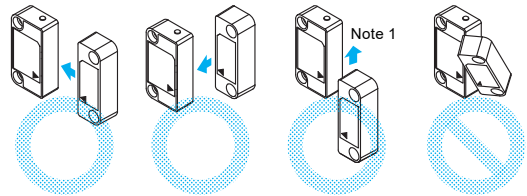
18. D40Z is a class A product. In residential areas D40Z may cause radio interference, in which case the user may be required to take adequate measures to reduce interference.
19. D40Z may not function properly in surrounding environment with strong electromagnetic equipment such as RFID system, proximity sensor, motor, inverter, and switching power supply. If you use D40Z near such equipment, be sure to verify effects of such equipment on D40Z before using.
20. Handle cables with care:
1. For bending cables, it is recommended to bend them with a radius of bend no less than six times the cable outer diameter.
 2. Do not apply a tensile strength of 50N or greater to the cables.
21. To determine safety distance to hazards, take into account the delay of non-contact door switch output caused the response time.
22. If there is any machine that has a large surge current (e.g., a motor) near D40Z, connected a surge absorber to D40Z between the blue and the other cables (white, black and brown) respectively, or between the yellow cable and gray cable. Suggested surge absorber's specification is as follows:
- Peak pulse power: 600 W (10/1000 μ s) or more (Per IEC 61000-4-5 (surge immunity))
 - Breakdown voltage: 27-33 V

Switch and Actuator Operation

Switch and Actuator Mounting Directions



Switch and actuator operating directions



Note 1. When using the operating direction along the sensing surface, be sure to provide a gap of at least 3 mm between the switch and actuator to eliminate the effects of the side lobes.

Safety Category (ISO 13849-1)

When used in combination with the G9SP or G9SX-NS□, the D40Z can be used for the environments corresponding to performance level e and safety category 4 as required by EN ISO 13849-1.

The settings are determined by circuit examples provided by OMRON, however, and may not be applicable depending on the operating conditions. Performance levels and safety categories are determined for the safety control system as a whole. You must confirm conformity for the entire system.

Approved Standards

- EN ISO 13849-1 PLe/Safety Category 4 (Used in combination with a G9SX-NS□)
- IEC/EN 61508 SIL 3 (Used in combination with a G9SX-NS□)
- IEC/EN 60947-5-3 (Used in combination with a G9SX-NS□)
- EN ISO 14119 (Used in combination with a G9SX-NS□)
- UL 508
- CAN/CSA C22.2 No.14

Terms and Conditions Agreement

Read and understand this catalog.

Please read and understand this catalog before purchasing the products. Please consult your OMRON representative if you have any questions or comments.

Warranties.

- (a) Exclusive Warranty. Omron's exclusive warranty is that the Products will be free from defects in materials and workmanship for a period of twelve months from the date of sale by Omron (or such other period expressed in writing by Omron). Omron disclaims all other warranties, express or implied.
- (b) Limitations. OMRON MAKES NO WARRANTY OR REPRESENTATION, EXPRESS OR IMPLIED, ABOUT NON-INFRINGEMENT, MERCHANTABILITY OR FITNESS FOR A PARTICULAR PURPOSE OF THE PRODUCTS. BUYER ACKNOWLEDGES THAT IT ALONE HAS DETERMINED THAT THE PRODUCTS WILL SUITABLY MEET THE REQUIREMENTS OF THEIR INTENDED USE.

Omron further disclaims all warranties and responsibility of any type for claims or expenses based on infringement by the Products or otherwise of any intellectual property right. (c) Buyer Remedy. Omron's sole obligation hereunder shall be, at Omron's election, to (i) replace (in the form originally shipped with Buyer responsible for labor charges for removal or replacement thereof) the non-complying Product, (ii) repair the non-complying Product, or (iii) repay or credit Buyer an amount equal to the purchase price of the non-complying Product; provided that in no event shall Omron be responsible for warranty, repair, indemnity or any other claims or expenses regarding the Products unless Omron's analysis confirms that the Products were properly handled, stored, installed and maintained and not subject to contamination, abuse, misuse or inappropriate modification. Return of any Products by Buyer must be approved in writing by Omron before shipment. Omron Companies shall not be liable for the suitability or unsuitability or the results from the use of Products in combination with any electrical or electronic components, circuits, system assemblies or any other materials or substances or environments. Any advice, recommendations or information given orally or in writing, are not to be construed as an amendment or addition to the above warranty.

See <http://www.omron.com/global/> or contact your Omron representative for published information.

Limitation on Liability; Etc.

OMRON COMPANIES SHALL NOT BE LIABLE FOR SPECIAL, INDIRECT, INCIDENTAL, OR CONSEQUENTIAL DAMAGES, LOSS OF PROFITS OR PRODUCTION OR COMMERCIAL LOSS IN ANY WAY CONNECTED WITH THE PRODUCTS, WHETHER SUCH CLAIM IS BASED IN CONTRACT, WARRANTY, NEGLIGENCE OR STRICT LIABILITY.

Further, in no event shall liability of Omron Companies exceed the individual price of the Product on which liability is asserted.

Suitability of Use.

Omron Companies shall not be responsible for conformity with any standards, codes or regulations which apply to the combination of the Product in the Buyer's application or use of the Product. At Buyer's request, Omron will provide applicable third party certification documents identifying ratings and limitations of use which apply to the Product. This information by itself is not sufficient for a complete determination of the suitability of the Product in combination with the end product, machine, system, or other application or use. Buyer shall be solely responsible for determining appropriateness of the particular Product with respect to Buyer's application, product or system. Buyer shall take application responsibility in all cases.

NEVER USE THE PRODUCT FOR AN APPLICATION INVOLVING SERIOUS RISK TO LIFE OR PROPERTY OR IN LARGE QUANTITIES WITHOUT ENSURING THAT THE SYSTEM AS A WHOLE HAS BEEN DESIGNED TO ADDRESS THE RISKS, AND THAT THE OMRON PRODUCT(S) IS PROPERLY RATED AND INSTALLED FOR THE INTENDED USE WITHIN THE OVERALL EQUIPMENT OR SYSTEM.

Programmable Products.

Omron Companies shall not be responsible for the user's programming of a programmable Product, or any consequence thereof.

Performance Data.

Data presented in Omron Company websites, catalogs and other materials is provided as a guide for the user in determining suitability and does not constitute a warranty. It may represent the result of Omron's test conditions, and the user must correlate it to actual application requirements. Actual performance is subject to the Omron's Warranty and Limitations of Liability.

Change in Specifications.

Product specifications and accessories may be changed at any time based on improvements and other reasons. It is our practice to change part numbers when published ratings or features are changed, or when significant construction changes are made. However, some specifications of the Product may be changed without any notice. When in doubt, special part numbers may be assigned to fix or establish key specifications for your application. Please consult with your Omron's representative at any time to confirm actual specifications of purchased Product.

Errors and Omissions.

Information presented by Omron Companies has been checked and is believed to be accurate; however, no responsibility is assumed for clerical, typographical or proofreading errors or omissions.

OMRON Corporation Industrial Automation Company
Kyoto, JAPAN

Contact: www.ia.omron.com

Regional Headquarters

OMRON EUROPE B.V.

Wegalaan 67-69, 2132 JD Hoofddorp
The Netherlands
Tel: (31)2356-81-300/Fax: (31)2356-81-388

OMRON ELECTRONICS LLC

2895 Greenspoint Parkway, Suite 200
Hoffman Estates, IL 60169 U.S.A.
Tel: (1) 847-843-7900/Fax: (1) 847-843-7787

OMRON ASIA PACIFIC PTE. LTD.

No. 438A Alexandra Road # 05-05/08 (Lobby 2),
Alexandra Technopark,
Singapore 119967
Tel: (65) 6835-3011/Fax: (65) 6835-2711

OMRON (CHINA) CO., LTD.

Room 2211, Bank of China Tower,
200 Yin Cheng Zhong Road,
PuDong New Area, Shanghai, 200120, China
Tel: (86) 21-5037-2222/Fax: (86) 21-5037-2200

Authorized Distributor:

© OMRON Corporation 2010-2020 All Rights Reserved.
In the interest of product improvement,
specifications are subject to change without notice.

CSM_8_4
Cat. No. C145-E1-03

0820 (0910)