

**MPS POWER SUPPLY 1-PHASE,**

IN: 185-265VAC OUT: 22-28V/20ADC

Art.No.: 85057

Weight: 2.966

Country of origin: CZ

Model designation: MPS 20-230/24

INPUT: 185...265 V AC

OUTPUT: 22...28 V DC

Current: 20 A

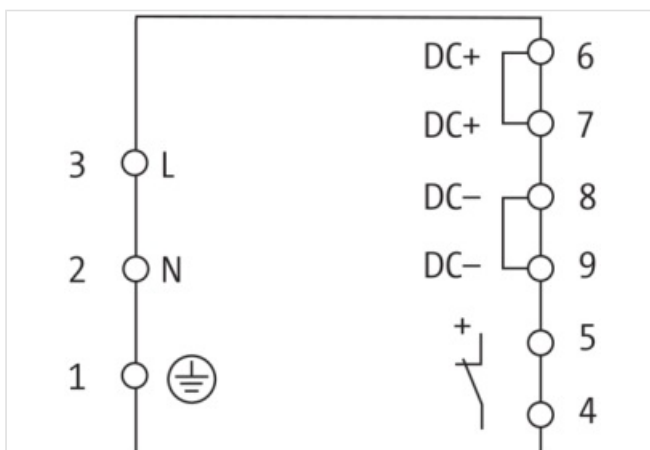
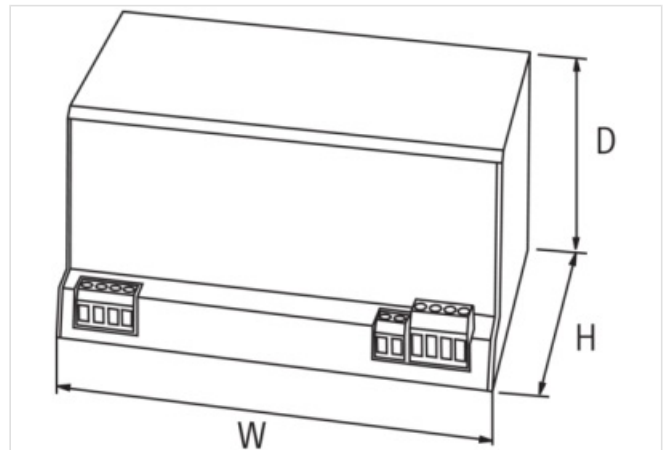
Single-phase

primary switched

Protection IP20

Units decoupling through diode block at parallel usage.

additional mounting feet for screw mounting part no. 89500

[Link to Product](#)**Illustration**

Product may differ from Image

**Commercial data**

EAN

4048879080699