

Technical data sheet

Non-safe I/O module

Part no.: 50132998
MSI-EM-IO84NP-03

Contents

- Technical data
- Dimensioned drawings
- Electrical connection
- Circuit diagrams
- Notes



Figure can vary



Technical data

Basic data

| | |
|---------------------|---------------------------------|
| Series | MSI-EM |
| Application | Processing of non-safe signals |
| Number of safe I/Os | 4 IN, 4 OUT, 4 programmable I/O |

Functions

| | |
|-----------|---|
| Functions | Extension with 4 non-safe inputs, 4 non-safe outputs and 4 non-safe freely programmable I/Os (OSSDs) Non-safe extension module for the MSI 400 configurable safety control |
|-----------|---|

Characteristic parameters

| | |
|--------------------|--------------------------|
| Mission time T_M | 20 years, EN ISO 13849-1 |
|--------------------|--------------------------|

Electrical data

Performance data

| | |
|-------------------------|------------------------|
| Supply voltage U_B | 24 V, DC, -30 ... 25 % |
| Power consumption, max. | 0.5 W |

Output circuit

| | |
|---|------------|
| Number of outputs | 4 Piece(s) |
| Number of configurable inputs/ outputs | 4 Piece(s) |
| Type of digital output | Transistor |
| Short circuit protection, outputs | Yes |
| Min. voltage permitted at the output | 16.2 V |
| Max. voltage permitted at the output | 30 V |
| Total output current, max. | 4 A |
| Nominal output current per output, max. | 0.5 A |

Control circuit

| | |
|--------------------------------|------------|
| Number of inputs | 4 Piece(s) |
| Voltage permitted at the input | 30 V |
| Input current at signal 1 | 3 mA |

Interface

| | |
|------|----------------------|
| Type | Internal bus (SBUS+) |
|------|----------------------|

Connection

| | |
|-----------------------|------------|
| Number of connections | 1 Piece(s) |
|-----------------------|------------|

Connection 1

| | |
|--------------------|---|
| Function | Signal IN Signal OUT Voltage supply |
| Type of connection | Terminal |
| Type of terminal | Spring-cage terminal |
| No. of pins | 16 -pin |

Cable properties

| | |
|---------------------------|--|
| Connection cross sections | 2 x 0.2 to 1.5 mm ² , wire 2 x 0.2 to 1.5 mm ² , wire 2 x 0.25 to 1.5 mm ² , wire with wire-end sleeve (pressed in trapezium shape) |
|---------------------------|--|

Mechanical data

| | |
|-----------------------|-----------------------------|
| Dimension (W x H x L) | 22.5 mm x 107 mm x 120.8 mm |
| Net weight | 180 g |
| Housing color | Gray |
| Type of fastening | Snap-on mounting |

Environmental data

| | |
|------------------------------------|---------------|
| Ambient temperature, operation | -25 ... 65 °C |
| Ambient temperature, storage | -25 ... 70 °C |
| Relative humidity (non-condensing) | 10 ... 95 % |

Certifications

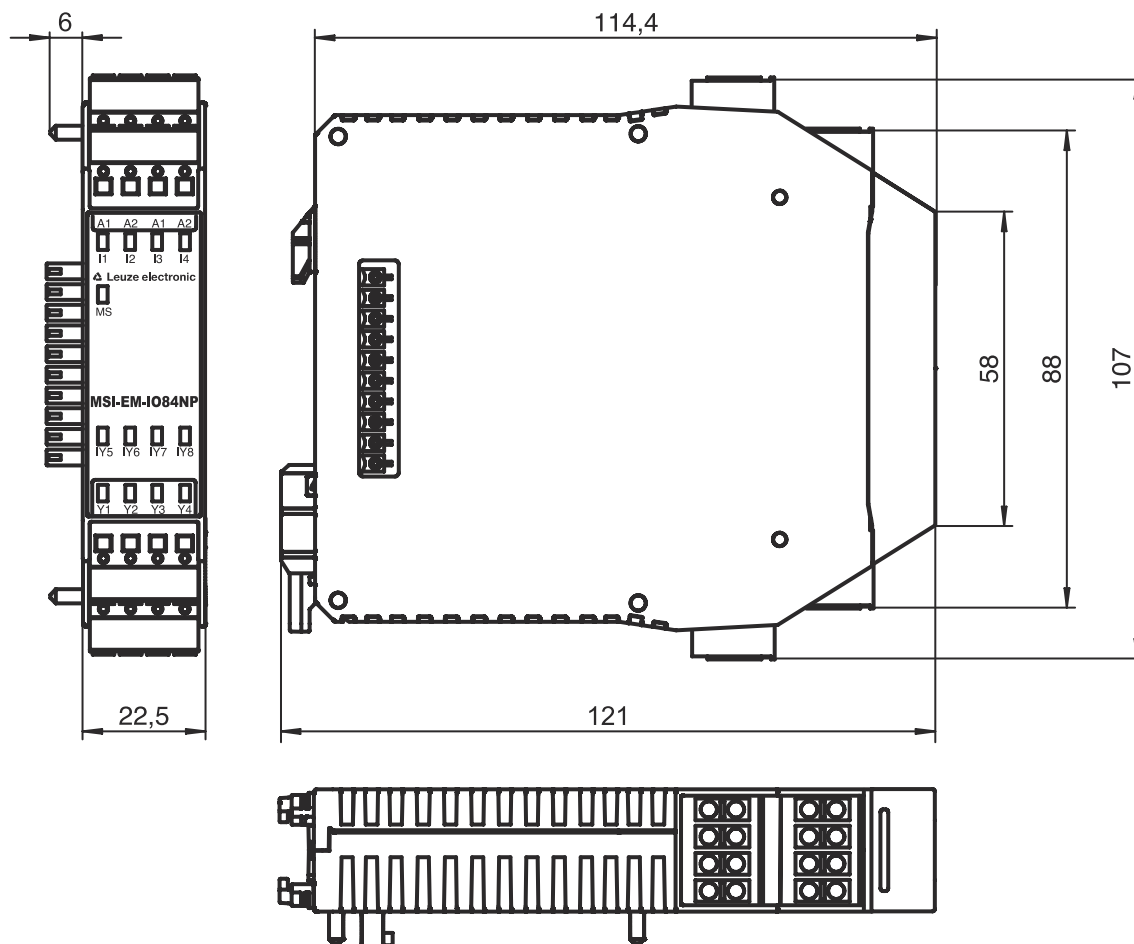
| | |
|--|--------------------------------------|
| Degree of protection | IP 20 (terminals) IP 40 (housing) |
| Protection class | III |
| Certifications | c UL US |
| Vibration resistance | 5 ... 150 Hz |
| Test procedure for oscillation in accordance with standard | EN 60068-2-6 |
| Shock resistance, single shock | 30 g, 11 ms, EN 60068-2-27 |

Classification

| | |
|-----------------------|----------|
| Customs tariff number | 85371091 |
| ECLASS 5.1.4 | 27242204 |
| ECLASS 8.0 | 27242204 |
| ECLASS 9.0 | 27242204 |
| ECLASS 10.0 | 27242204 |
| ECLASS 11.0 | 27242204 |
| ECLASS 12.0 | 27242204 |
| ECLASS 13.0 | 27242204 |
| ETIM 5.0 | EC001419 |
| ETIM 6.0 | EC001419 |
| ETIM 7.0 | EC001419 |
| ETIM 8.0 | EC001419 |

Dimensioned drawings

All dimensions in millimeters



Electrical connection

Connection 1

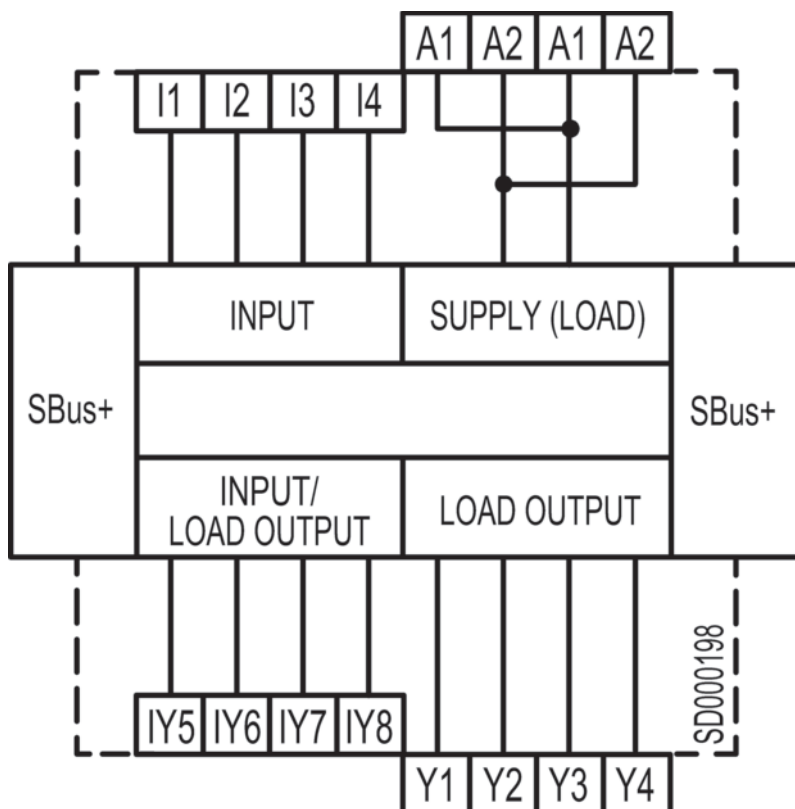
| | |
|--------------------|----------------------|
| Function | Signal IN |
| | Signal OUT |
| | Voltage supply |
| Type of connection | Terminal |
| Type of terminal | Spring-cage terminal |
| No. of pins | 16 -pin |

| Terminal | Assignment |
|----------|-----------------------------|
| A1 | +24 V |
| A1 | +24 V |
| A2 | GND |
| A2 | GND |
| I1 | Input |
| I2 | Input |
| I3 | Input |
| I4 | Input |
| IY5 | Input/output (configurable) |

Electrical connection

| Terminal | Assignment |
|----------|-----------------------------|
| IY6 | Input/output (configurable) |
| IY7 | Input/output (configurable) |
| IY8 | Input/output (configurable) |
| Y1 | Output |
| Y2 | Output |
| Y3 | Output |
| Y4 | Output |

Circuit diagrams



Notes

Observe intended use!

- The product may only be put into operation by competent persons.
- Only use the product in accordance with its intended use.