

ExEIL580P-T

With through hollow shaft

1...65536 pulses per revolution programmable (interpolated system)

Overview

- Size ø58 mm
- Precise optical sensing (interpolated)
- Output signal level programmable (TTL or HTL)
- Through hollow shaft, ø8...15 mm
- Connection radial or tangential
- Pulses per revolution 1...65536, programmable
- High resistance to shock and vibrations
- Option 0122, Explosion protection zone 22



Technical data

Technical data - electrical ratings

Voltage supply	4.75...30 VDC
Reverse polarity protection	Yes
Short-circuit proof	Yes
Consumption w/o load	≤70 mA
Initializing time	≤ 30 ms after power on
Pulses per revolution	1 ... 65536
Duty cycle	45...55 % typical at 1024, 2048 ppr (further see table Duty cycle)
Reference signal	Zero pulse 90° or 180°
Sensing method	Optical
Output frequency	≤300 kHz (TTL) ≤160 kHz (HTL)
Output signals	A+, B+, R+, A-, B-, R-
Output stages	TTL/RS422 HTL/push-pull
Programmable parameters	Output level TTL/HTL Pulse number 1...65536 Zero pulse width 90°/180° Zero pulse position Signal sequence
Interference immunity	EN 61000-6-2
Emitted interference	EN 61000-6-3

Technical data - mechanical design

Size (flange)	ø58 mm
Shaft type	ø8...15 mm (through hollow shaft) ø9.52 mm (through hollow shaft) ø12.7 mm (through hollow shaft)
Protection EN 60529	IP 65
Operating speed	≤6000 rpm (+20 °C) ≤4500 rpm (+40 °C) ≤2500 rpm (+60 °C)
Starting torque	≤0.025 Nm (+20 °C)
Material	Housing: aluminium die-cast Flange: aluminium
Ambient temperature	-20...+60 °C
Relative humidity	90 % non-condensing
Resistance	EN 60068-2-6 Vibration 30 g, 10-2000 Hz EN 60068-2-27 Shock 250 g, 6 ms
Explosion protection	II 3 D Ex tc IIIC T135°C Dc X (dust): see special conditions "X"
Connection	Flange connector M12, 8-pin Flange connector M23, 12-pin Cable
Weight approx.	300 g

ExEIL580P-T

With through hollow shaft

1...65536 pulses per revolution programmable (interpolated system)

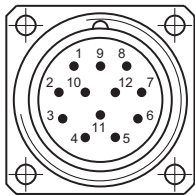
Terminal assignment

Flange connector M23, 12-pin / cable

Pin	Core color	Assignment
1	pink	B-
2	–	–
3	blue	R+
4	red	R-
5	green	A+
6	yellow	A-
7	–	R-Set ¹⁾
8	grey	B+
9	–	–
10	white	GND
11	–	–
12	brown	UB

Screen: Connected to housing

Cable data: PUR, [4x2x0,14 mm²], bending radius >45,8 mm, outer diameter 6.1 mm



¹⁾ The R-Set input is used to set the reference pulse (zero pulse) on the current shaft position.
R-Set = UB ≥ 200 ms

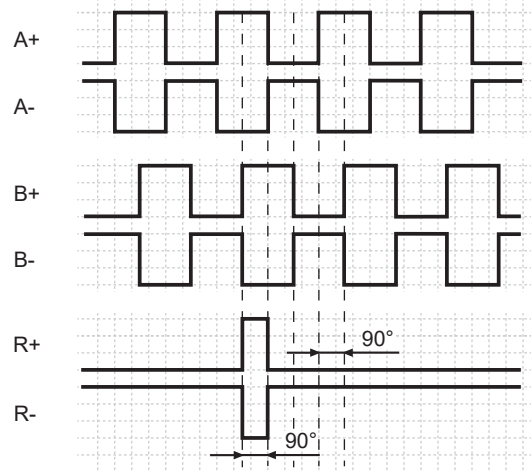
Flange connector M12, 8-pin

Pin	Assignment
1	GND
2	UB
3	A+
4	A-
5	B+
6	B-
7	R+
8	R-

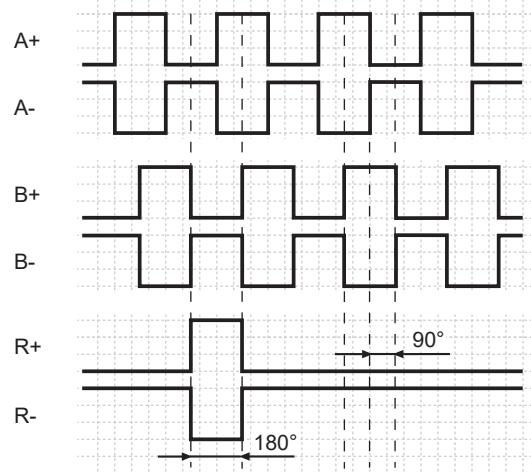


Output signals

Zero pulse electrical 90° A&B high
(Factory setting at clockwise rotation (CW)
in view of the encoder flange)



Zero pulse electrical 180° B low
(at clockwise rotation (CW)
in view of the encoder flange)



Trigger level

Outputs	TTL/RS422
Output level High	≥2.5 V
Output level Low	≤0.5 V
Load	≤20 mA

Outputs	HTL/Push-pull
Output level High	≥UB -3 V
Output level Low	≤1.5 V
Load	≤20 mA

ExEIL580P-T

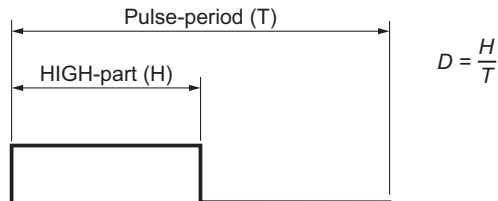
With through hollow shaft

1...65536 pulses per revolution programmable (interpolated system)

Duty cycle

The duty cycle (D) is defined as the time ratio between the HIGH pulse duration (H) and the pulse period (T).

System-induced and depending on the pulse number, the measured values may vary which has an impact on speed and position acquisition. Binary pulse numbers are recommended for speed feedback.



Programmed pulse number	Scan ratio (D) (maximum)	Jitter (+/-) (maximum)
1...1023	45...55 %	5%
1024, 2048	45...55 %	5%
1025...5000	40...60 %	10%
8192, 16384	35...85 %	15%
5001...10000	22...78 %	28%
32768	25...75 %	25%
65536	15...85 %	35%
all other	Jitter[%]=(programmed pulse number -10000)*0,0007%+28%	

ExEIL580P-T

With through hollow shaft

1...65536 pulses per revolution programmable (interpolated system)

Explosion protection

 II 3 D Ex tc IIIC T135°C Dc X (dust)

General- and Special conditions „X“:

Only put the device into operation if ...

- all necessary precautions have been taken by the operator to make sure device and connector are fully protected against mechanical impacts or shocks in compliance with EN 60079-0, section 26.4.2 (Special conditions „X“).
- the connection is mechanically or electrically secured to prevent any interrupt while the contact is live (Special conditions „X“).
- it has been ensured the electrical connection of product variants with cable outlet or cable couplings is outside zone 22 (Special conditions „X“).
- it has been ensured the maximum operating speed in relation to the ambient temperature is within the specifications on the table „Maximum rotation speed below“ (Special conditions „X“).
- the specifications on the product label match the on-site conditions for use in hazardous areas (EX) (device group, category, zone, temperature class resp. maximum surface temperature).
- the specifications on the product label comply with the prevailing grid conditions.
- the device shows no visible trace of damage (resulting from transport or storage), and
- it has been ensured no explosive atmosphere, oils, acids, gases, vapors, radiation etc. are present during installation.

Observe standard EN 60079-14 for installation and commissioning.

Device operation must observe the installation and operating instructions. The intended use and application of the device comes under the relevant legislation as well as applicable directives and standards.

Maximum rotation speed

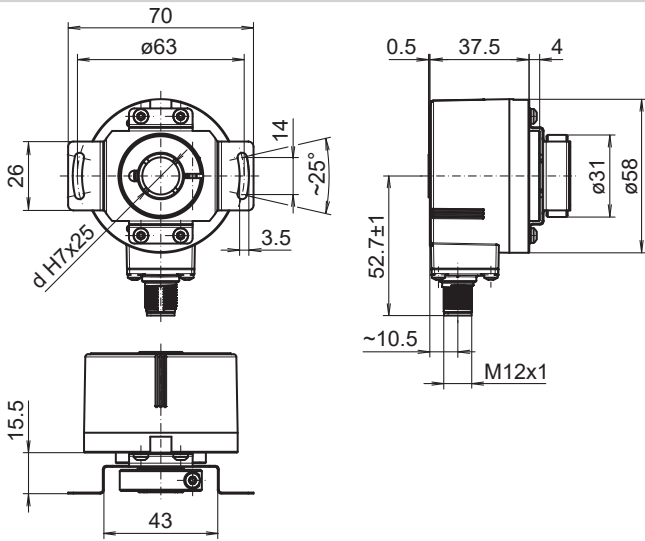
	ambient temperature	rotation speed
solid shaft	20 °C	≤ 12000 rpm
	40 °C	≤ 11000 rpm
	60 °C	≤ 8000 rpm
through hollow shaft	20 °C	≤ 6000 rpm
	40 °C	≤ 4500 rpm
	60 °C	≤ 2500 rpm
blind hollow shaft	20 °C	≤ 8000 rpm
	40 °C	≤ 8000 rpm
	60 °C	≤ 5000 rpm

ExEIL580P-T

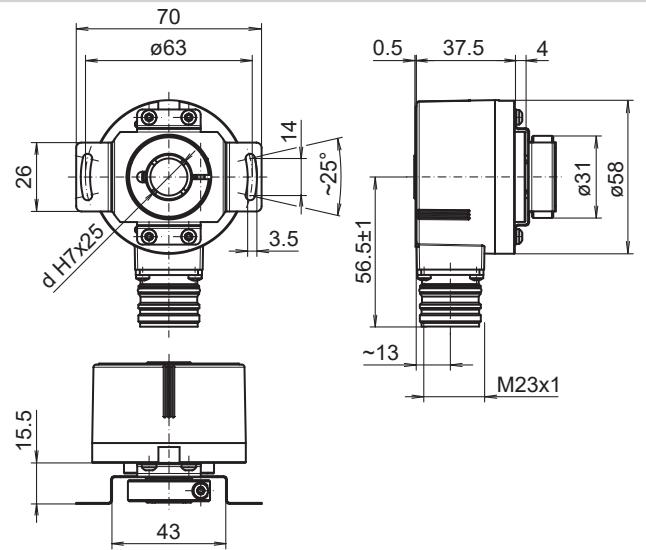
With through hollow shaft

1...65536 pulses per revolution programmable (interpolated system)

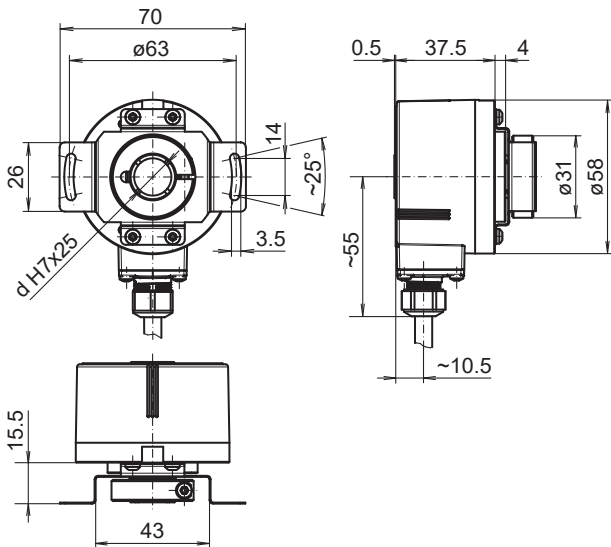
Dimensions



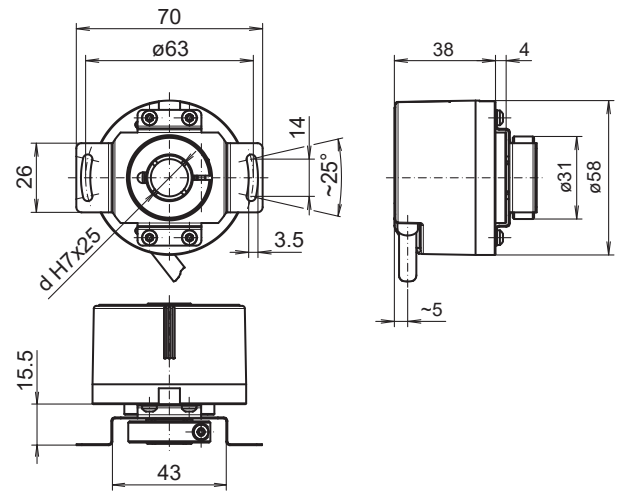
Clamping ring at A-side: Through hollow shaft, flange connector M12 radial



Clamping ring at A-side: Through hollow shaft, flange connector M23 radial



Clamping ring at A-side: Through hollow shaft, cable radial



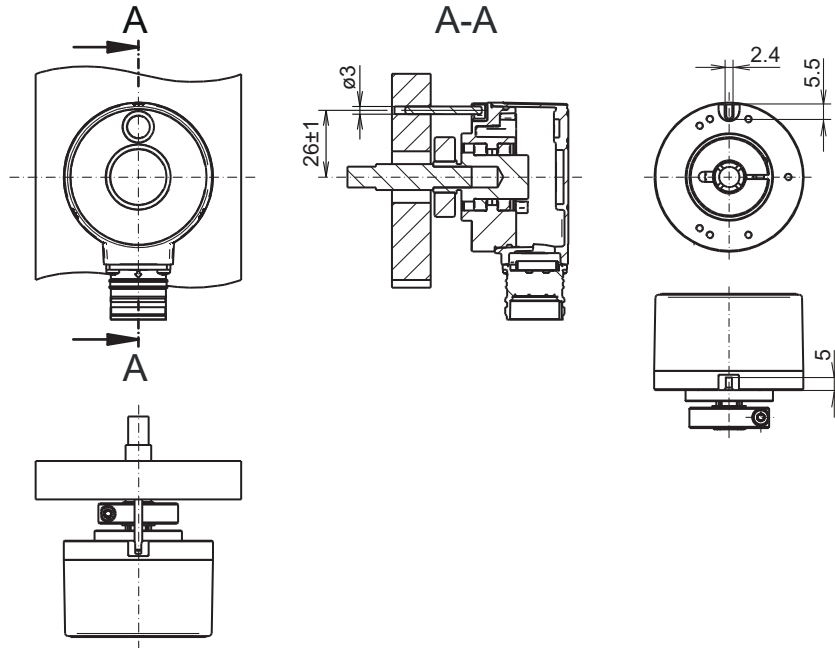
Clamping ring at A-side: Through hollow shaft, cable tangential

ExEIL580P-T

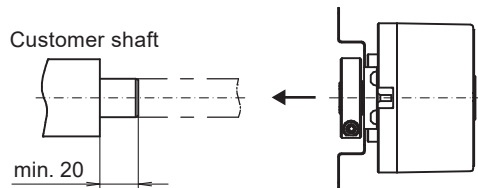
With through hollow shaft

1...65536 pulses per revolution programmable (interpolated system)

Dimensions



Flange version P: Pin torque support, axial, clamping ring at A-side



Clamping ring at A-side: Through hollow shaft

ExEIL580P-T

With through hollow shaft

1...65536 pulses per revolution programmable (interpolated system)

Ordering reference

	ExEIL580P	-	T	#	##	.	5	##	#	.	01024	.	F	/	0122
Product	ExEIL580P														
Shaft type	Through hollow shaft		T												
Flange (Hollow shaft)	Without stator coupling			N											
	With stator coupling ø63 mm			T											
	With stator coupling, 1-armed, hole circle ø63...94 mm, M4, mounting position 180°			M											
	Pin torque support 3 mm, axial/radial			P											
Through hollow shaft	ø8 mm, clamping ring, A-side														08
	ø3/8" (ø9.52 mm), clamping ring, A-side														U3
	ø10 mm, clamping ring, A-side														10
	ø12 mm, clamping ring, A-side														12
	ø1/2" (ø12.7 mm), clamping ring, A-side														U4
	ø14 mm, clamping ring, A-side														14
	ø15 mm, clamping ring, A-side														15
Protection class	IP 65							5							
Connection	Cable radial, 1 m														R
	Cable radial, 2 m														L
	Flange socket radial, M23, 12-pin, male contacts, CCW														F
	Flange socket radial, M12, 8-pin, male contacts, CCW														B
	Cable tangential, 1 m														P
	Cable tangential, 2 m														Q
Voltage supply / output	4,75...30 VDC, TTL/RS422 6 channel (Vout=5V)														F
	4,75...30 VDC, HTL/push pull, 6 channel (Vout=Vin)														Q
Pulses programmable	1...65536 programmable (factory setting: 1024)														01024
Operating temperature	-20...+60 °C														F
Optionen BT	ATEX Zone 22														0122

(Factory setting: 1024 ppr, Vout = 5 VDC TTL, signal sequence A leading B (CW), zero pulse 90° A&B high)

ExEIL580P-T

With through hollow shaft

1...65536 pulses per revolution programmable (interpolated system)

Accessories

Mounting accessories

11066083	Torque arm, 1-arm (mounting kit 006)
11073119	Torque arm, 1-arm (mounting kit 021)
11067367	Torque arm, 1-arm (mounting kit 028)
11100198	Stator coupling, 2-armed (mounting kit 046)
11113210	Torque arm, 1-arm (mounting kit 047)
11124300	Torque arm, 1-arm (mounting kit 048)
11155325	Rigid mounting plate, 1-arm (mounting kit 099)
11106627	Fan cover clip 8 mm
11094674	Clamping ring 12/31/ 8 M3 8.8
11094675	Clamping ring 17/31/ 8 M3 8.8
11116921	Insulating sleeve \varnothing 10 mm/ \varnothing 12 mm/25 mm long
11116923	Insulating sleeve \varnothing 12 mm/ \varnothing 14 mm/25 mm long

Programming accessories

11120657	Handheld Programming Tool Z-PA-EI-H
11120547	PC Programming Tool Z-PA-EI-P
11119280	Connection cable connector M12 / connector D-SUB, 0.2 m
11119720	Connection cable connector M12 / connector D-SUB, 1 m
11119257	Connection cable connector M23 (CW) / connector D-SUB, 0.2 m
11119723	Connection cable connector M23 (CW) / connector D-SUB, 1 m