

Overview

- 10 mm
- PNP make function (NO)
- connector M12 5 pin
- -40 ... 75 °C
- IP 67



Picture similar



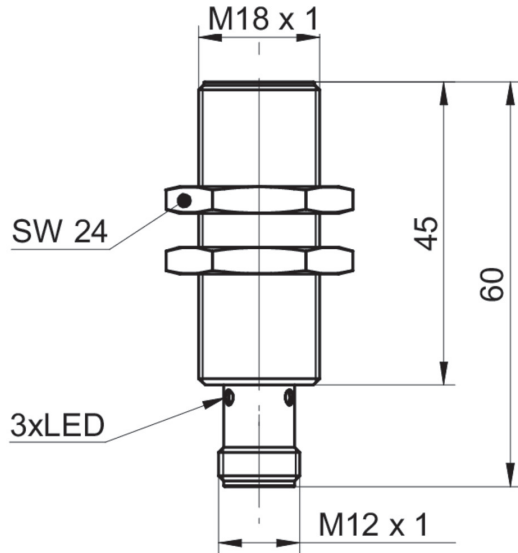
Technical data

General data		Electrical data	
Mounting type	Flush	Output circuit	PNP make function (NO)
Special type	Marine	Voltage drop Vd	< 2 VDC
Nominal sensing distance Sn	10 mm	Output current	< 200 mA
Temperature drift	± 20 %	Short circuit protection	Yes
Hysteresis	2 ... 18 % of Sr	Reverse polarity protection	Yes
Output indicator	3 port LED red	Mechanical data	
Correction factor typ.	Mild steel 100 %, stainless steel 70 %, aluminum 40 %	Type	Cylindrical threaded
Approvals/certificates	DNV GL	Material (sensing face)	PBT
Electrical data		Housing material	Brass nickel plated, chromium plated
Switching frequency	< 800 Hz	Dimension	18 mm
Voltage supply range +Vs	6 ... 36 VDC	Housing length	60 mm
Normal operating voltage	24 VDC	Connection types	Connector M12 5 pin
Current consumption max. (no load)	12 mA	Tightening torque max.	40 Nm
		Ambient conditions	
		Operating temperature	-40 ... +75 °C
		Protection class	IP 67

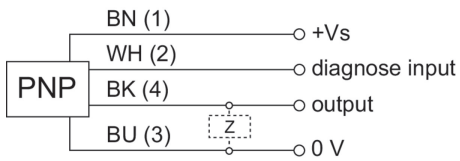
Remarks

- Marine Type Approval (acc. to DNVGL-CG-0339)
- Extended temperature range
- Diagnostic mode

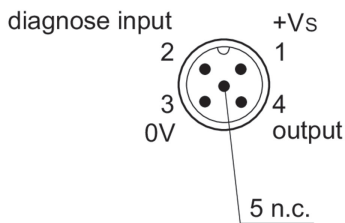
Dimension drawing



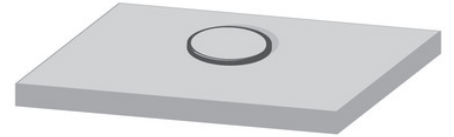
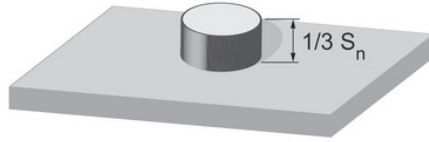
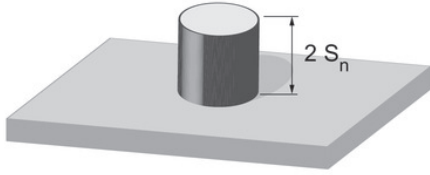
Connection diagram



Pin assignment



Correction factors for different mounting situation (approx.)



Mounting material	Correction factor
Mild steel	100 %
Stainless steel	100 %
Aluminum	100 %

Mounting material	Correction factor
Mild steel	100 %
Stainless steel	100 %
Aluminum	95 %

Mounting material	Correction factor
Mild steel	not possible
Stainless steel	95 %
Aluminum	70 %

Mounting instructions

